

3.10 Parts and Illustrations

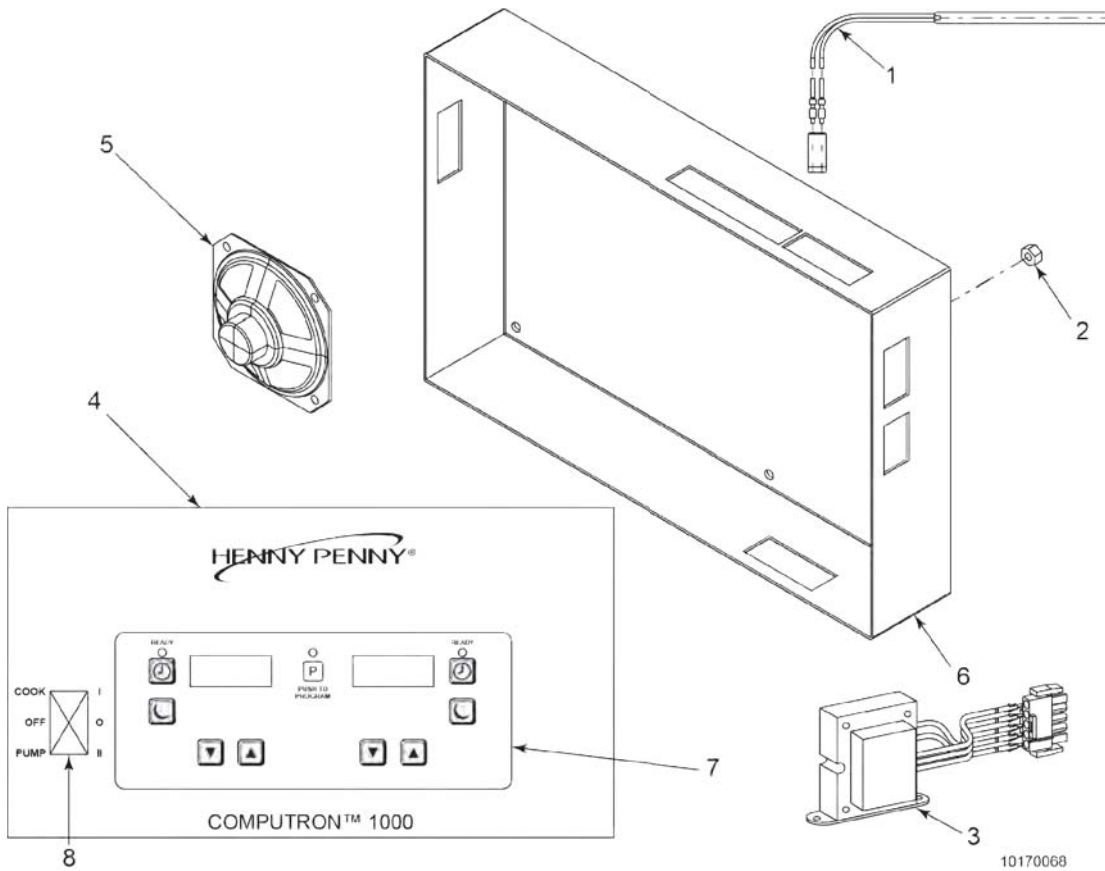
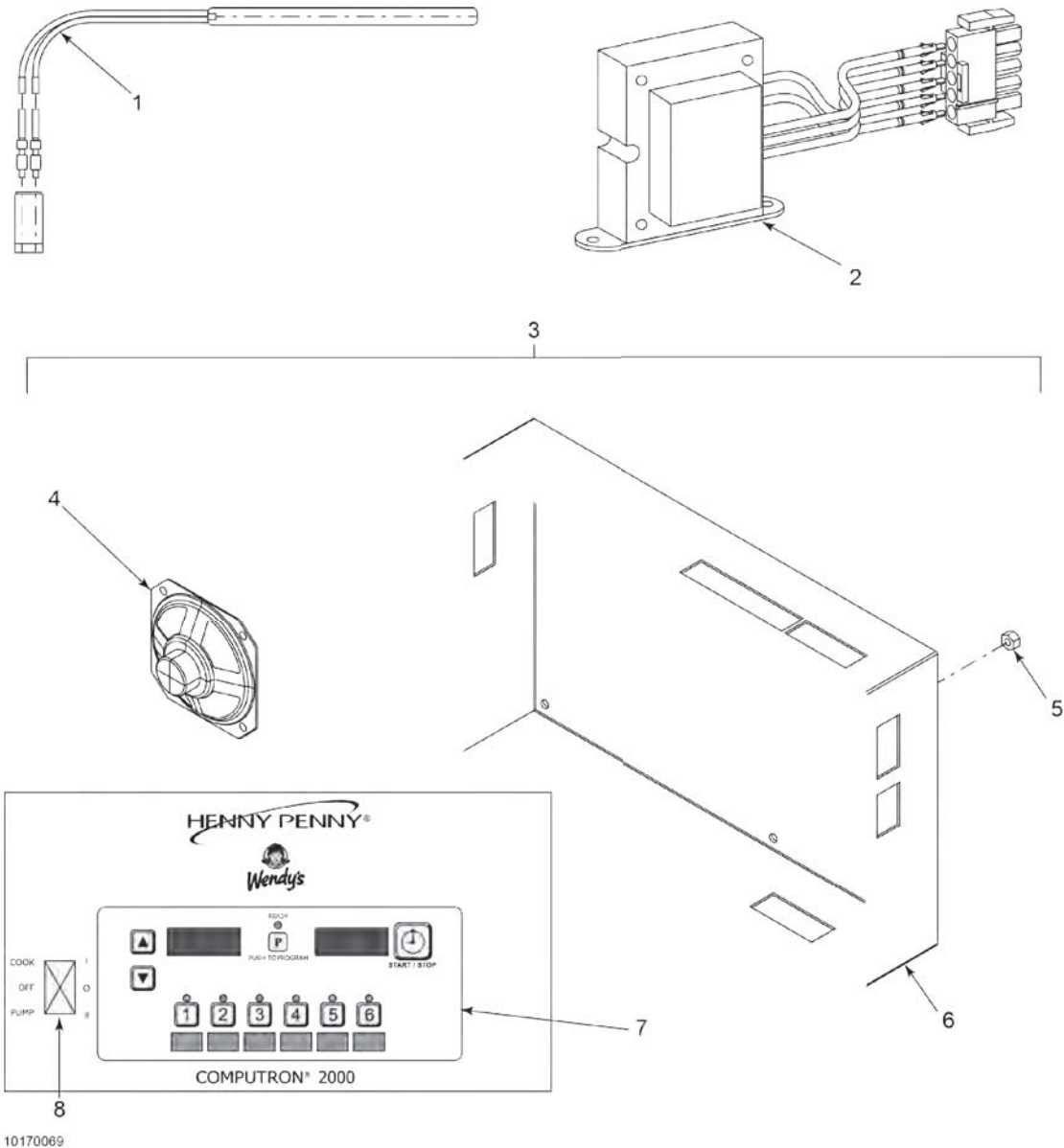


Figure 3-1 Computron C1000 Control

Item No.	Part No.	Description	Qty.
Recommended Parts * Not Shown			
-	14953	KIT, 600 E/M TO C1000 RETROFIT	1
-	14956	KIT, 600 E/M TO C1000 RETROFIT - CANADA	1
-	14406	KIT, 600 E/M 120V TO LVC C8000BP	1
-	140013	KIT, C1000 120V 600SSI TO C8000	1
-	140014	KIT, C1000 240V 600SSI TO C8000	1
1	14993	- KIT, PROBE - 6 INCH (GAS)	1
2	NS02-005	- NUT, HEX KEPS - #6-32 C	11

Item No.	Part No.	Description	Qty.
3	60536	- ASSY., TRANSFORMER - 24V/230V	1
3	60207	- ASSY., TRANSFORMER - 24V/120V	1
4	14954	- ASSY., CONTROL - C1000	1
4	14955	- ASSY., CONTROL - C1000 - CANADA	1
5	ME70-005	- SPEAKER, 16 OHM - 2 INCH	1
6	78269	- COVER, PCB	1
7	80275	- DECAL, C1000 - CONTROL - GM	1
8	29898	- SWITCH, POWER	1
9*	53669	- GUARD, POWER SWITCH	1



10170069

Figure 3-2 Wendy's Computron C2000 Control

Item No.	Part No.	Description	Qty.
Recommended Parts * Not Shown			
1	14993	ASSY., PROBE - 6 INCH (GAS)	1
Starting SNs: Gas - AN0801038			

Item No.	Part No.	Description	Qty.
2	60536	ASSY., TRANSFORMER - 24V/230V	1
2	60207	ASSY., TRANSFORMER - 24V/120V	1
3	14958	KIT, CONTROL - 600 C2000 WENDY'S FRYER	1
3	14959	KIT, CONTROL - 600 C2000 WENDY'S - CANADA	1
4	ME70-005	- SPEAKER, 16 OHM - 2 INCH	1
5	NS02-005	- NUT, HEX KEPS - #6-32 C	11
6	78269	- COVER, PCB	1
7	72123	- DECAL, C2000 - WENDY'S	1
7	78962	- DECAL, C2000 - WENDY'S - FRENCH	1
8	29898	- SWITCH, POWER	1
9*	53669	- GUARD, POWER SWITCH	1
10*	75820	- MENU CARD, WENDY'S - C2000	1
11*	14896	KIT, 600 E/M TO C2000 WENDY'S RETROFIT	1
11*	14934	KIT, 600 E/M TO C2000 WENDY'S RETROFIT - CANADA	1
Starting SNs: Gas - AN0801038			

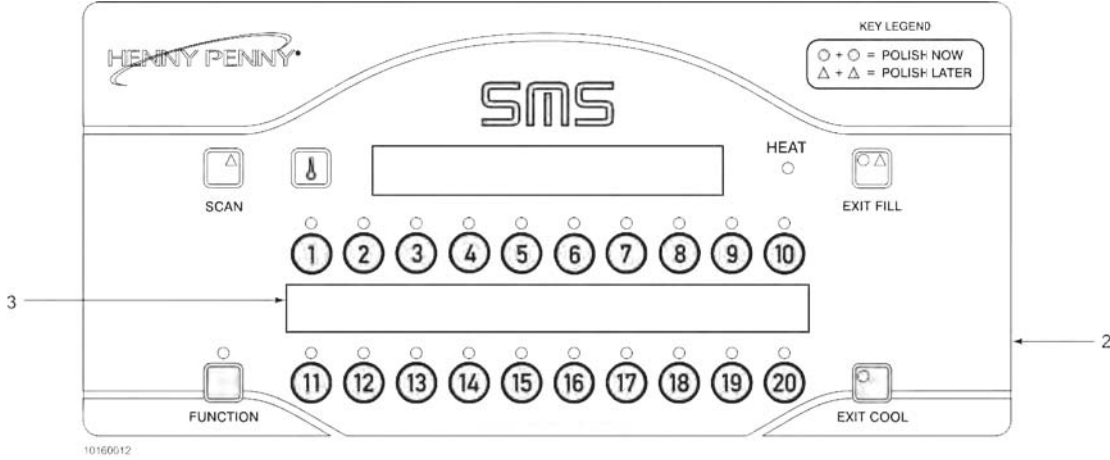


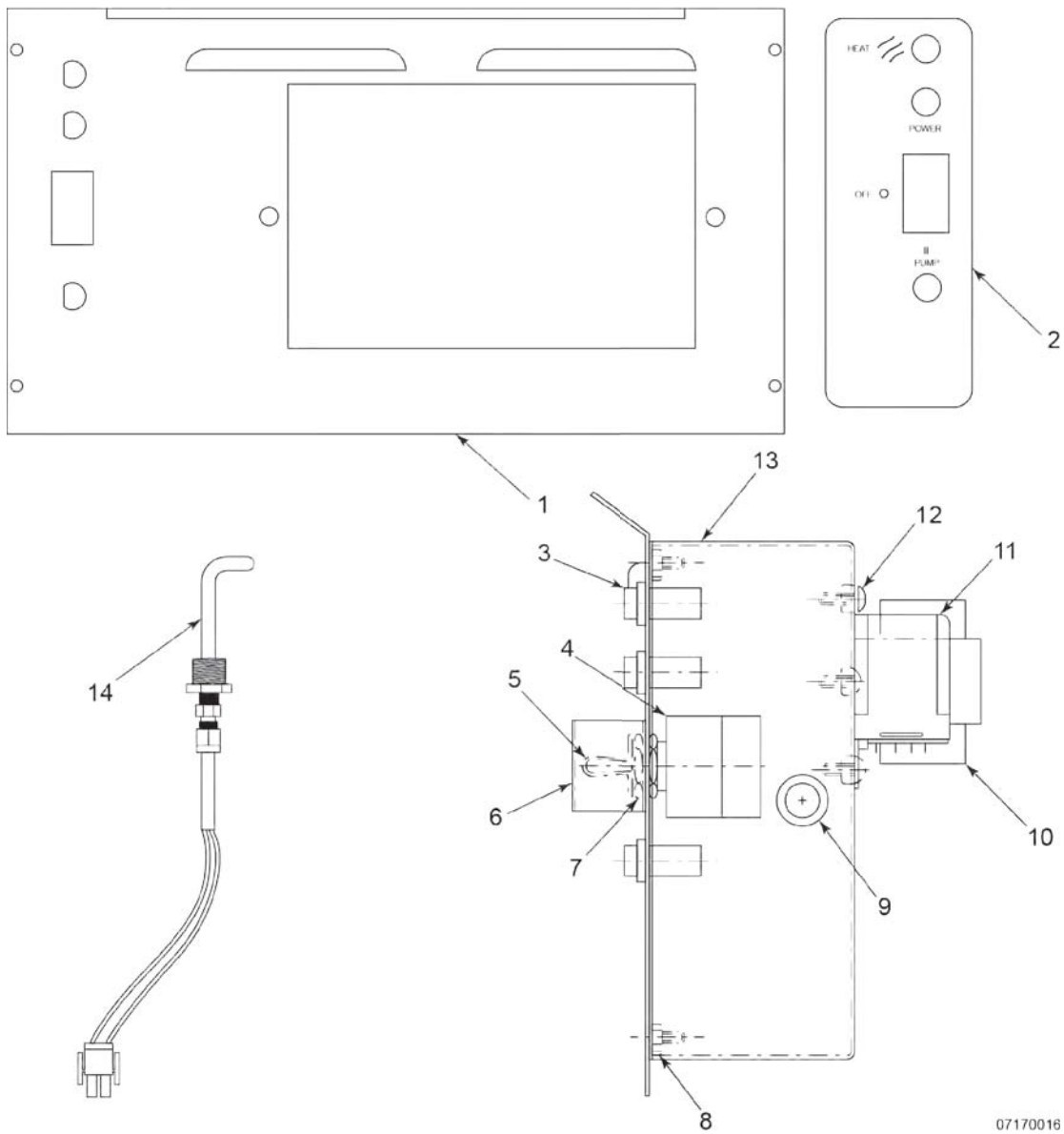
Figure 3-3 KFC SMS-20 Control

The SMS control has been replaced by the SMS-20 control. The SMS control is no longer orderable. The SMS kits have been updated to include to the SMS-20. The kit numbers are the same except the SMS has been replaced by the SMS-20 and any additional hardware needed to install the SMS-20, see the following tables when ordering a replacement SMS-20 control.

Table 3-1 KFC SMS-20 Controls & Spare Parts

Item No.	Part No.	Description	Qty.
* Not Shown			
1*	97925	CONTROL, SMS-20	1
2	97501	DECAL, KFC SMS-20	1
3	97984	CARD, MENU KFC SMS-20	1
4*	51877	SPEAKER, W/ WIRE	1
5*	14807	KIT, SMS-20 CONVERSION DOM. (KA020JJ & BELOW)	1
5*	14811	KIT, SMS-20 CONVERSION DOM. (KA021JJ TO BA026JA)	1
5*	14815	KIT, SMS-20 CONVERSION DOM. (BA027JA TO GA085JB)	1
5*	14837	KIT, SMS-20 CONVERSION INT'L (KA020JJ & BELOW) (UNITS W/ WIRING DIAGRAM 29895)	1
5*	14838	KIT, SMS-20 CONVERSION INT'L (KA020JJ & BELOW) (UNITS W/ WIRING DIAGRAM 63748)	1

Item No.	Part No.	Description	Qty.
5*	14839	KIT, SMS-20 CONVERSION INT'L (KA020JJ & BELOW) (UNITS W/ WIRING DIAGRAM 29900)	1
5*	14840	KIT, SMS-20 CONVERSION INT'L (KA020JJ & BELOW) (UNITS W/ WIRING DIAGRAM 34809)	1
5*	14841	KIT, SMS-20 CONVERSION INT'L (KA021JJ TO BA026- JA) (UNITS W/ WIRING DIAGRAM 29895)	1
5*	14842	KIT, SMS-20 CONVERSION INT'L (KA021JJ TO BA026- JA) (UNITS W/ WIRING DIAGRAM 63748)	1
5*	14843	KIT, SMS-20 CONVERSION INT'L (KA021JJ TO BA026- JA) (UNITS W/ WIRING DIAGRAM 29900)	1
5*	14844	KIT, SMS-20 CONVERSION INT'L (KA021JJ TO BA026- JA) (UNITS W/ WIRING DIAGRAM 34809)	1
5*	14845	KIT, SMS-20 CONVERSION INT'L (BA026JA GA085JB) (UNITS W/ WIRING DIAGRAM 29895)	1
5*	14846	KIT, SMS-20 CONVERSION INT'L (BA026JA GA085JB) (UNITS W/ WIRING DIAGRAM 63748)	1
5*	14847	KIT, SMS-20 CONVERSION INT'L (BA026JA GA085JB) (UNITS W/ WIRING DIAGRAM 29900)	1
5*	14848	KIT, SMS-20 CONVERSION INT'L (BA026JA GA085JB) (UNITS W/ WIRING DIAGRAM 34809)	1
5*	14908	KIT, SMS-20 CONVERSION INT'L FROM FAST TO SMS- 20 (JAPAN)	1

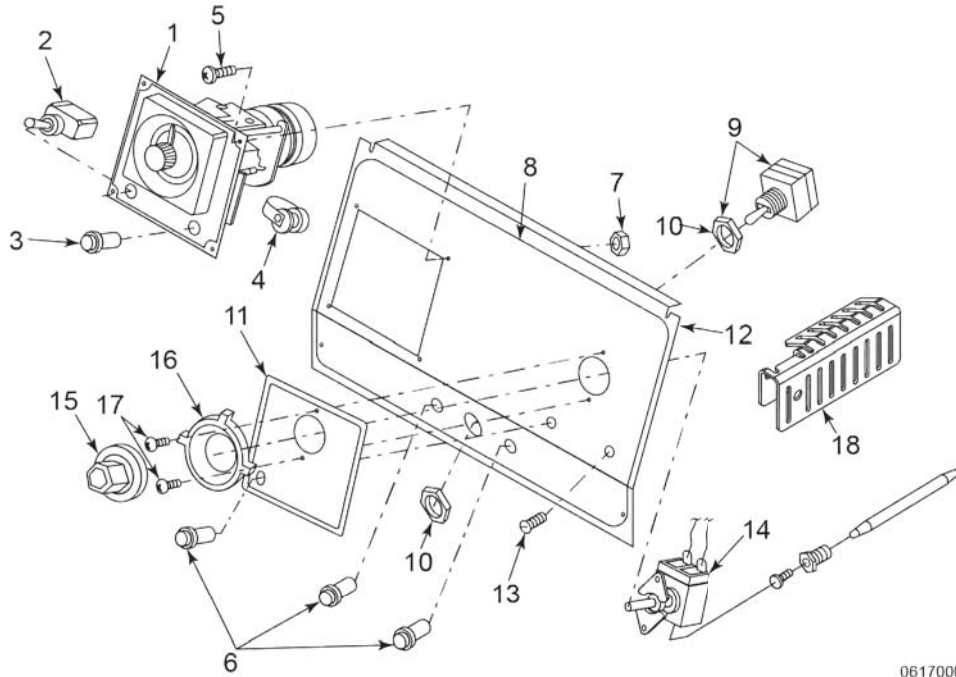


07170016

Figure 3-4 Fast Control Panel

Item No.	Part No.	Description	Qty.
Recommended Parts * Not Shown			
1	63751	FAST CONTROL PANEL, 600 - 120V (KA021JJ TO GA085JB)	1
-	140246	KIT, PFG 600 FAST CONTROL	1

Item No.	Part No.	Description	Qty.
-	63224	FAST CONTROL PANEL, 600 - 240V (KB021JJ TO HB013JB) (KA021JJ TO GA085JB)	1
1	63225	FAST CONTROL PANEL, 600 (KB021JJ TO HB013JB) (KA021JJ TO GA085JB) (CE)	1
1	27472	FAST CONTROL PANEL, 600-100-120V (GA086JB & ABOVE)	1
1	27423	FAST CONTROL PANEL, 600 - 240V (HB014JB & ABOVE) (GA086JB & ABOVE)	1
1	27424	FAST CONTROL PANEL, 600 (HB014JB & ABOVE) (GA086JB & ABOVE) (CE)	1
2	61722	- DECAL, FAST CONTROL - 600 (KB021JJ & ABOVE) (KA021JJ & ABOVE)	1
3	54085	- LIGHT, INDICATOR, GREEN (CE)	3
3	16624	- LIGHT, INDICATOR, RED	3
4	16640	- SWITCH, MAIN ASSY. - 4 PDT (KB020JJ & BELOW)	1
4	29898	- SWITCH, POWER (KB021JJ & ABOVE) (KA021JJ & ABOVE)	1
5	48369	- COVER, SWITCH (CE)	1
6	18450	- GUARD, SWITCH FRYER	1
7	NS03-018	- NUT, 3/4-32 JAM	2
8	NS02-005	- NUT, HEX KEPS #6-32 C	10
9	EF02-002	- BUSHING, 33/64 P	1
10	30614	- TRANSFORMER, 208/240V PRI-24 VS	1
10	35916	- TRANSFORMER, 120V - 50/60 Hz	1
11	30429	- RELAY, 24V COIL - 15A@120V, 10A@240V (SHOWN)	1
11*	60818	- RELAY, 24V COIL - 10A@120V, 12A@240V	1
12	SC01-049	- SCREW, #6-32 X 3/8 PH PHD C	6
13	29921	- SHIELD, BOX (KB020JJ & BELOW)	1
13	63336	- COVER, CONTROL PANEL FAST (KB021JJ & ABOVE) (KA021JJ & ABOVE)	1
14	29383	ASSY., PROBE FAST - GAS	1



06170002

Figure 3-5 Standard Control Panel

Item No.	Part No.	Description	Qty.
Recommended Parts * Not Shown			
-	16675	ASSY., CONTROL PANEL COMPLETE - BENT PANEL - 600	-
1	16602	TIMER ASSY., AUTOMATIC RESET - 115 VOLT - 60 Hz	1
1	16596	TIMER ASSY., AUTOMATIC RESET - 115 VOLT - 50 Hz	1
1	18301	TIMER ASSY., AUTOMATIC RESET - 208-240 VOLT - 60 Hz	1
1	18304	TIMER ASSY., AUTOMATIC RESET - 208-240 VOLT - 50 Hz	1
1	17366	TIMER ASSY., AUTOMATIC RESET - 208-240 VOLT - 50 Hz (CE)	1
2	22195	SWITCH, TIMER	1
3	16624	LIGHT, TIMER INDICATOR	1
4	16659	- COIL, TIMER BUZZER, 115 VOLT	1

Item No.	Part No.	Description	Qty.
4	18302	- COIL, TIMER BUZZER, 220 VOLT	1
4	14284	KIT, 600 - CONT. 230 EM BUZZER	1
5	SC01-073	SCREW, TIMER	4
6	16624	LIGHT, INDICATOR	3
6	63609	LIGHT, INDICATOR - TEMPERATURE - 48 VOLT - GAS MODELS	1
6	54086	LIGHT, INDICATOR - GREEN - CE & AUSTRALIA - GAS MODELS	3
7	NS02-009	NUT, TIMER	4
8	64427	DECAL, CONTROL (KB020JJ & BELOW)	-
8	61570	DECAL, CONTROL - WENDY'S (KB020JJ & BELOW)	-
8	61572	DECAL, CONTROL - POLLO CAMPERO (KB020JJ & BELOW)	-
8	64428	DECAL, CONTROL (KB029JJ & BELOW)	-
8	64429	DECAL, CONTROL (KA020JJ & BELOW)	1
8	61571	DECAL, CONTROL - WENDY'S (KA020JJ & BELOW)	1
8	61580	DECAL, CONTROL - POLLO CAMPERO (KA020JJ & BELOW)	1
8	61754	DECAL, CONTROL - POLLO CAMPERO (KA020JJ & BELOW) (CE)	1
8	61554	DECAL, CONTROL (KB021JJ TO HB013JB)	-
8	61570	DECAL, CONTROL - WENDY'S (KB021JJ TO HB013JB)	-
8	61572	DECAL, CONTROL - POLLO CAMPERO (KB021JJ TO HB013JB)	-
8	61709	DECAL, CONTROL (KB030JJ TO HB016JB)	-
8	61555	DECAL, CONTROL (KA021JJ TO GA085JB)	1
8	61571	DECAL, CONTROL - WENDY'S (KA021JJ TO GA085JB)	1
8	61580	DECAL, CONTROL - POLLO CAMPERO (KA021JJ TO GA085JB)	1
8	61754	DECAL, CONTROL - POLLO CAMPERO - CE (KA021JJ TO GA085JB)	1
8	61554	DECAL, CONTROL (HB014JB & ABOVE)	-

Item No.	Part No.	Description	Qty.
8	61570	DECAL, CONTROL - WENDY'S (HB014JB & ABOVE)	-
8	61572	DECAL, CONTROL - POLLO CAMPERO (HB014JB & ABOVE)	-
8	61709	DECAL, CONTROL (HB017JB & ABOVE)	-
8	61555	DECAL, CONTROL (GA086JB & ABOVE)	1
8	61571	DECAL, CONTROL - WENDY'S (GA086JB & ABOVE)	1
8	61580	DECAL, CONTROL - POLLO CAMPERO (GA086JB & ABOVE)	1
8	61754	DECAL, CONTROL - POLLO CAMPERO (GA086JB & ABOVE) (CE)	1
9	16640	SWITCH, MAIN	1
10	NS03-018	NUT, MAIN SWITCH	2
11	16745	PLATE, THERMOSTAT	1
12	18439	ASSY., CONTROL PANEL (KB020JJ & BELOW)	-
12	17524	ASSY., CONTROL PANEL (KB029JJ & BELOW)	-
12	16701	ASSY., CONTROL PANEL (KA020JJ & BELOW)	1
12	63230	ASSY., CONTROL PANEL (KB021JJ TO HB013JB)	-
12	63230	ASSY., CONTROL PANEL (KB030JJ TO HB016JB)	-
12	63230	ASSY., CONTROL PANEL (KA021JJ TO GA085JB)	1
12	27396	ASSY., CONTROL PANEL (HB014JB & ABOVE)	-
12	27396	ASSY., CONTROL PANEL (HB017JB & ABOVE)	-
12	27396	ASSY., CONTROL PANEL (GA086JB & ABOVE)	1
13	SC04-003	SCREW, CONTROL PANEL	2
14A	18382	THERMOSTAT ONLY, RS KX 365F MAX. - CE - 600	1
14B	14293	KIT, THERMOSTAT CONTROL - 600 (INCLUDES ITEMS 15, 16, & 17)	1
15	16706	- KNOB, THERMOSTAT (INCLUDED IN ITEM 14B)	1
16	16704	- BEZEL, THERMOSTAT (INCLUDED IN ITEM 14B)	1
17	SC01-023	- SCREW, THERMOSTAT (INCLUDED IN ITEM 14B)	2

Item No.	Part No.	Description	Qty.
18	N/A	- ASSY., POT CAPILLARY GUARD (PFE only, see)	1
19*	32927	WRAP, THERMOSTAT CAPILLARY	1

Table 3-2 Fast Control Panel

Item No.	Part No.	Description	Qty.
SEE Figure 3-4 Fast Control Panel, page 89 FOR EXPLODED VIEW & DETAILS)			
Recommended Parts * Not Shown			
11	60818	RELAY, 24V COIL (120V)	1
20*	61722	DECAL, FAST CONTROLS	1
21*	29898	SWITCH, POWER	1
22*	18450	GUARD, POWER SWITCH	1
23*	30429	RELAY, 15A-125VAC - 10A-250VAC	1
24*	30614	TRANSFORMER, 208/240 V - PRI 24 VS	1
25*	54085	LIGHT, INDICATOR GREEN (CE)	3
26*	27472	ASSY., CONTROL PANEL - FAST - 600 - 100-120V	1
26*	27423	ASSY., CONTROL PANEL - FAST - 600 - 240V	1
27*	29383	PROBE, TEMPERATURE - FAST - 600	1

Table 3-3 Hybrid Control Panel

Item No.	Part No.	Description	Qty.
Recommended Parts * Not Shown			
1*	171285	CONTROL KIT, CFA HYBRID	1

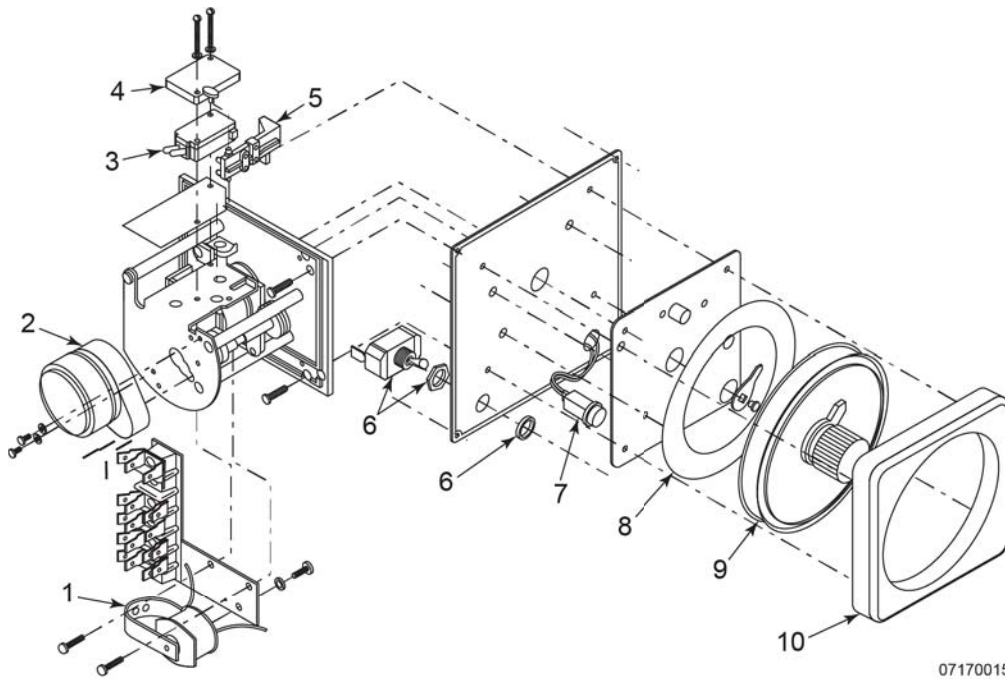


Figure 3-6 Automatic Reset Timer Assembly

Item No.	Part No.	Description	Qty.
Recommended Parts			
1	16659	ASSY., BUZZER COIL - 120V	1
1	18302	ASSY., BUZZER COIL - 208-240V	1
2	16673	MOTOR, TIMER- 120V	1
2	18303	MOTOR, TIMER- 208-240V	1
3	16671	MICROSWITCH, TIMER	1
4	18771	PLATE, MICROSWITCH MOUNTING	1
5	18772	ARM, MICROSWITCH ACTUATOR	1
6	22195	SWITCH, ON/OFF (INCLUDES NUT)	1
7	16624	LIGHT, INDICATOR	1
9	16371	ASSY., KNOB & POINTER	1
10	16657	BEZEL	1

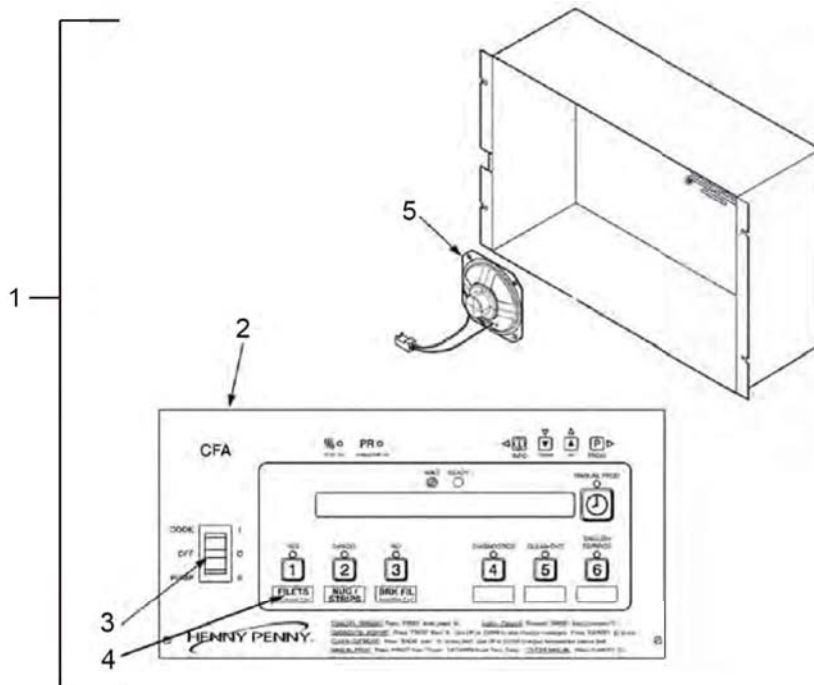
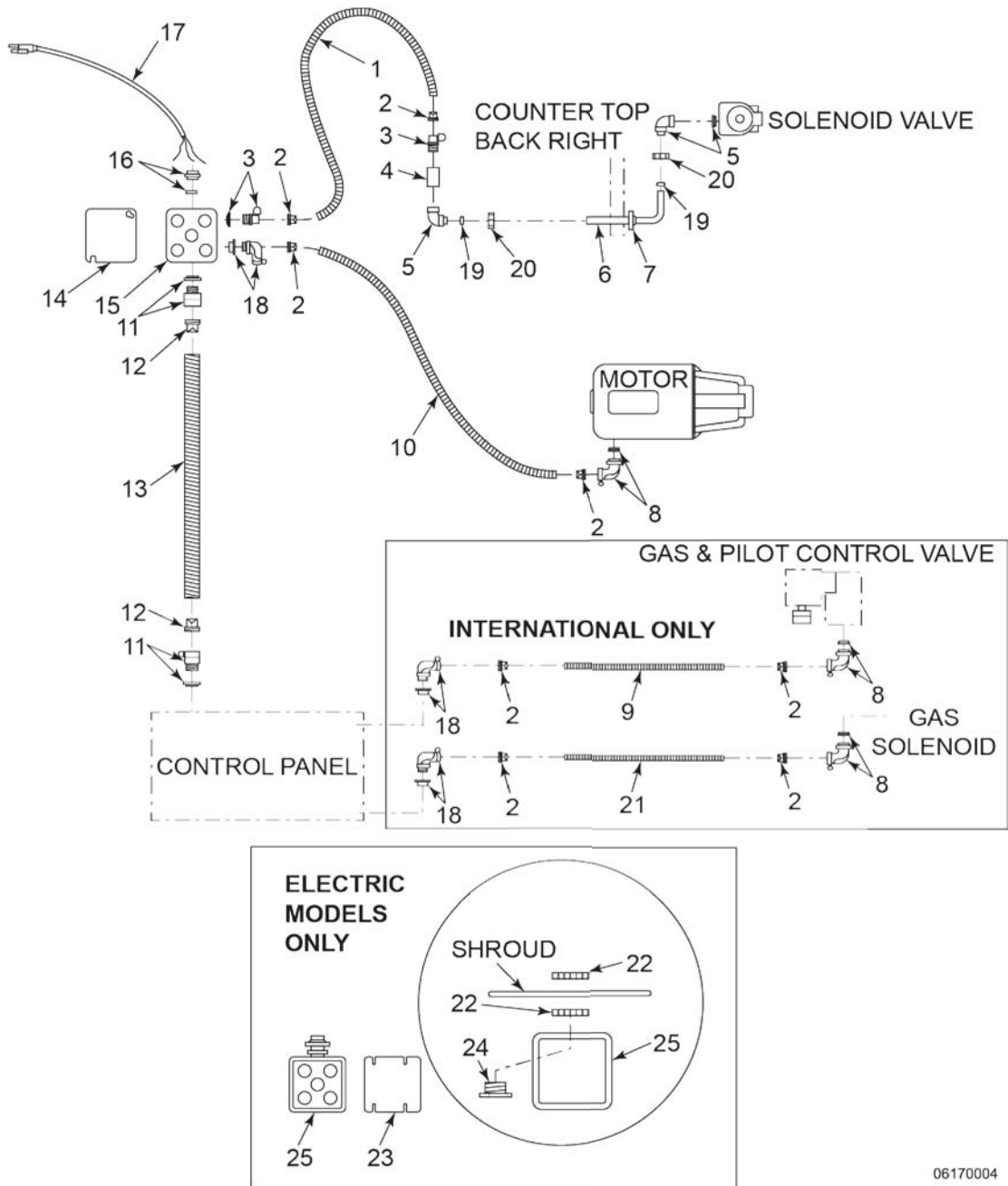


Figure 3-7 CFA Original Panel

Item No.	Part No.	Description	Qty.
Recommended Parts * Not Shown			
1	164975	CONTROL PANEL COMPLETE - Bent Panel 600 - SN: KA020JJ & Below	1
1	67544RB	CONTROL PANEL COMPLETE - Flat Panel 600 - KA021JJ to GA085JB	1
1	67830RB	CONTROL PANEL COMPLETE - Flat Panel 600 - SN: GA086JB & Above	1
2	61576	DECAL, CFA - Bent Panel - SN: 600-SN: KA020JJ & Below	1
2	24281	DECAL, CFA - Flat Panel - SN: 600-KA021JJ to GA085JB	1
2	32669	DECAL, CFA - Flat Panel '02 - SN: 600-GA086JB & Above	1
3	29898	SWITCH, COOK/PUMP	1
4	61725	MENU CARD, CFA COMPUTRON	1
5	26974	ASSEMBLY, SPEAKER	1

Item No.	Part No.	Description	Qty.
6*	ME90-011	RELAY, 24VAC COIL (DPST)	1
7*	53669	GUARD, POWER SWITCH	1

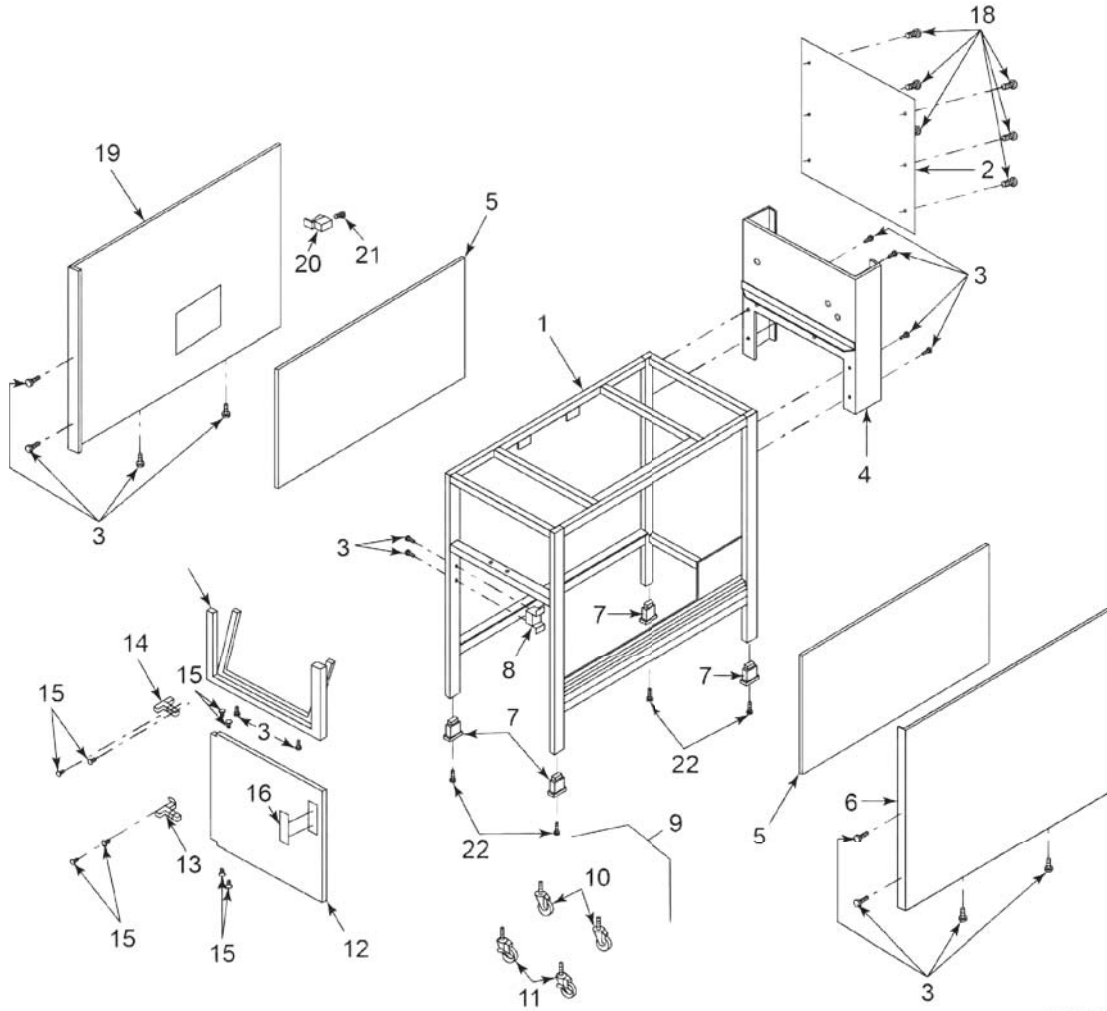


06170004

Figure 3-8 Electric Conduit Assembly

Item No.	Part No.	Description	Qty.
Recommended Parts * Not Shown			
1	18527	CONDUIT, FLEXIBLE	1
2	18105	BUSHING, ANTI SHORT	8
3	18111	CONNECTOR, CONDUIT	2
4	FP01-018	COUPLING, PIPE	1
5	18113	CONNECTOR, CONDUIT - 90°	2
6	59218	TUBE, CONDUIT - SOLENOID	1
7	16804	GROMMET, UMBRELLA	1
8	18107	CONNECTOR, CONDUIT - 90°	1
9	17221	CONDUIT, FLEXIBLE	1
9	33866	CONDUIT, FLEXIBLE - (CE & AUSTRALIA)	1
10	30291	CONDUIT, FLEXIBLE	1
11	18104	CONNECTOR, CONDUIT	2
12	18108	BUSHING, ANTI SHORT	2
13	33628	CONDUIT, FLEXIBLE	1
14	18101	COVER, JUNCTION BOX	1
15	18102	BOX, JUNCTION	1
15	54965	BOX, JUNCTION W/ COVER - SPLASH PROOF - (CE & AUSTRALIA)	1
16	18103	CONNECTOR, POWER CORD	1
17	53656	CORD, POWER - W/ GROUNDED PLUG - GAS MODELS ONLY	1
17	34823	CORD, POWER - GAS MODELS ONLY (CE & AUSTRALIA)	1
18	18644	CONNECTOR, CONDUIT	1
19	16817	SLEEVE, TEFLON	2
20	16809	NUT, FITTING	2
21	44814	CONDUIT, FLEXIBLE	1
22	19617	NUT, LOCK - 3/4 INCH	2
23	19708	COVER, JUNCTION BOX	1

Item No.	Part No.	Description	Qty.
23	32779	COVER, JUNCTION BOX - WATER TIGHT (600) (CE)	1
24	19616	NIPPLE, 3/4 INCH CHASE	1
25	19707	BOX, MAIN POWER JUNCTION	1
25	32740	BOX, JUNCTION - WATER TIGHT (600) (CE)	1
26*	51390	ASSY., EMC FILTER (CE & AUSTRALIA)	1



06170041

Figure 3-9 Frame & Cabinet Assembly

Item No.	Part No.	Description	Qty.
* Not Shown			
1	-----	ASSY., FRAME (SHORT) (KB020JJ & BELOW)	-
1	-----	ASSY., FRAME (LONG) (KB020JJ & BELOW)	-
1	-----	ASSY., FRAME (SHORT) (KB029JJ & BELOW)	-
1	-----	ASSY., FRAME (LONG) (KB029JJ & BELOW)	-
1	-----	ASSY., FRAME (SHORT) (KA020JJ & BELOW)	1
1	-----	ASSY., FRAME (LONG) (KA020JJ & BELOW)	1

Item No.	Part No.	Description	Qty.
1	64018	ASSY., FRAME (LONG) (KB021JJ TO HB013JB)	-
1	64017	ASSY., FRAME (SHORT) (KB021JJ TO HB013JB)	-
1	64018	ASSY., FRAME (LONG) (KB030JJ TO HB016JB)	-
1	64017	ASSY., FRAME (SHORT) (KB030JJ TO HB016JB)	-
1	64018	ASSY., FRAME (LONG) (KA021JJ TO GA085JB)	1
1	64017	ASSY., FRAME (SHORT) (KA021JJ TO GA085JB)	1
1	23679	ASSY., FRAME (SHORT) (HB014JB & ABOVE)	-
1	26854	ASSY., FRAME (LONG) (HB014JB & ABOVE)	-
1	23679	ASSY., FRAME (SHORT) (HB017JB & ABOVE)	-
1	26854	ASSY., FRAME (LONG) (HB017JB & ABOVE)	-
1	23679	ASSY., FRAME (SHORT) (GA086JB & ABOVE)	-
1	26854	ASSY., FRAME (LONG) (GA086JB & ABOVE)	1
2	17346	COVER, BACK SHROUD (KA020JJ & BELOW)	1
2	64255	COVER, BACK SHROUD (KB021JJ TO HB013JB)	-
2	64255	COVER, BACK SHROUD (KB030JJ TO HB016JB)	-
2	64255	COVER, BACK SHROUD (KA021JJ TO GA085JB)	1
2	24534	COVER, BACK SHROUD (HB014JB & ABOVE)	-
2	24534	COVER, BACK SHROUD (HB017JB & ABOVE)	-
2	24534	COVER, BACK SHROUD (GA086JB & ABOVE)	1
3	SC03-005	SCREW, PANELS & BRACKET - SHEET METAL	22
4	18740	ASSY., SHROUD (KA020JJ & BELOW)	1
4	67900	ASSY., SHROUD (KB030JJ TO HB016JB)	-
4	67900	ASSY., SHROUD (HB017JB & ABOVE)	-
4	67900	ASSY., SHROUD (AA1411055 & BELOW)	-
4	154672	ASSY., SHROUD (AA1411056 & ABOVE)	-
4	67900	ASSY., SHROUD (KA020JJ TO AN1411014)	1
4	154672	ASSY., SHROUD (AN1411015 & ABOVE)	1
5	59730	INSULATION, SIDE PANEL - GAS ONLY	2

Item No.	Part No.	Description	Qty.
5	59732	INSULATION, SIDE PANEL GAS ONLY (CE)	2
6	17606	PANEL, RIGHT SIDE (KB020JJ & BELOW)	-
6	48047	PANEL, RIGHT SIDE (KB029JJ & BELOW)	-
6	17606	PANEL, RIGHT SIDE (KA020JJ & BELOW)	1
6	56972	PANEL, RIGHT SIDE (KB021JJ TO HB013JB)	-
6	56972	PANEL, RIGHT SIDE (KB030JJ TO HB016JB)	-
6	56972	PANEL, RIGHT SIDE (KA021JJ TO GA085JB)	1
6	56972	PANEL, RIGHT SIDE (HB014JB & ABOVE)	-
6	56972	PANEL, RIGHT SIDE (HB017JB & ABOVE)	-
6	56972	PANEL, RIGHT SIDE (GA086JB & ABOVE)	1
6	24255	PANEL, RIGHT SIDE - GAS ONLY (KA021JJ & ABOVE) (CE & AUSTRALIA)	1
7	54225	INSERT, ALUMINUM FEET - 1 IN. X 1 IN.	4
7	17612	INSERT, ALUMINUM FEET - 1 IN. X 1-1/2 IN.	4
8	59230	BRACKET, MAGNETIC CATCH	1
8	17002	MAGNET	1
9	03007	ASSY., CASTER	1
10	17630	- CASTER, LESS BRAKE	2
11	17629	- CASTER, W/ BRAKE	2
10	151564	CASTER, 3 IN. SWIVEL STEM HD (RED)	2
11	151563	CASTER, 3 IN. SWIVEL W/ BRAKE HD (RED)	5
12	17639	DOOR ASSY., COMPLETE (KA021JJ & ABOVE - GAS)	1
12	58849	DOOR ASSY., COMPLETE (KA021JJ & ABOVE - GAS)	1
13	17620	- HINGE, BOTTOM DOOR	1
14	17618	- HINGE, TOP DOOR	1
15	SC01-072	- SCREW, DOOR HINGE	8
16	41836	- HANDLE, DOOR	1
17	17602	PANEL, FRONT (KB020JJ & BELOW)	-
17	17602	PANEL, FRONT (KB029JJ & BELOW)	-

Item No.	Part No.	Description	Qty.
17	17602	PANEL, FRONT (KA020JJ & BELOW)	1
17	56974	PANEL, FRONT (KB021JJ TOHB013JB)	-
17	56974	PANEL, FRONT (KB030JJ TO HB016JB)	-
17	56974	PANEL, FRONT (KA021JJ TO GA085JB)	1
17	83195	PANEL, FRONT (HB014JB & ABOVE)	-
17	83195	PANEL, FRONT (HB017JB & ABOVE)	-
17	83195	PANEL, FRONT (GA086JB & ABOVE)	1
18	SC04-003	SCREW, BACK SHROUD	6
19	17604	PANEL, LEFT SIDE (KB020JJ & BELOW)	-
19	17604	PANEL, LEFT SIDE (KB029JJ & BELOW)	-
19	17604	PANEL, LEFT SIDE (KA020JJ & BELOW)	1
19	56973	PANEL, LEFT SIDE (KB021JJ TO HB013JB)	-
19	56973	PANEL, LEFT SIDE (KB030JJ TO HB016JB)	-
19	56973	PANEL, LEFT SIDE (KA021JJ TO GA085JB)	1
19	56973	PANEL, LEFT SIDE (HB014JB & ABOVE)	-
19	56973	PANEL, LEFT SIDE (HB017JB & ABOVE)	-
19	56973	PANEL, LEFT SIDE (GA086JB & ABOVE)	1
19	24254	PANEL, SIDE LEFT - GAS ONLY (KA021JJ & ABOVE) (CE & AUSTRALIA)	1
20	17627	LUG, GROUNDING	1
21	17611	SCREW, GROUNDING LUG	1
22	SC01-143	SCREW, 5/8-18 X 4 HEX HD (BRIGHT FINISH) (ADJUST. LEGS)	4
22	SC-067	SCREW, 5/8-18 X 3-1/4 HEX HD (BLACK FINISH) (AD- JUST. LEGS)	4
23*	NS03-050	NUTSERT, #8-32 STEEL CAD PLATED (HINGE NUTSERTS)	4
24*	SC01-234	SCREW, #8-32 X 1/2 PH FLAT HD (DOOR TO FRAME)	4

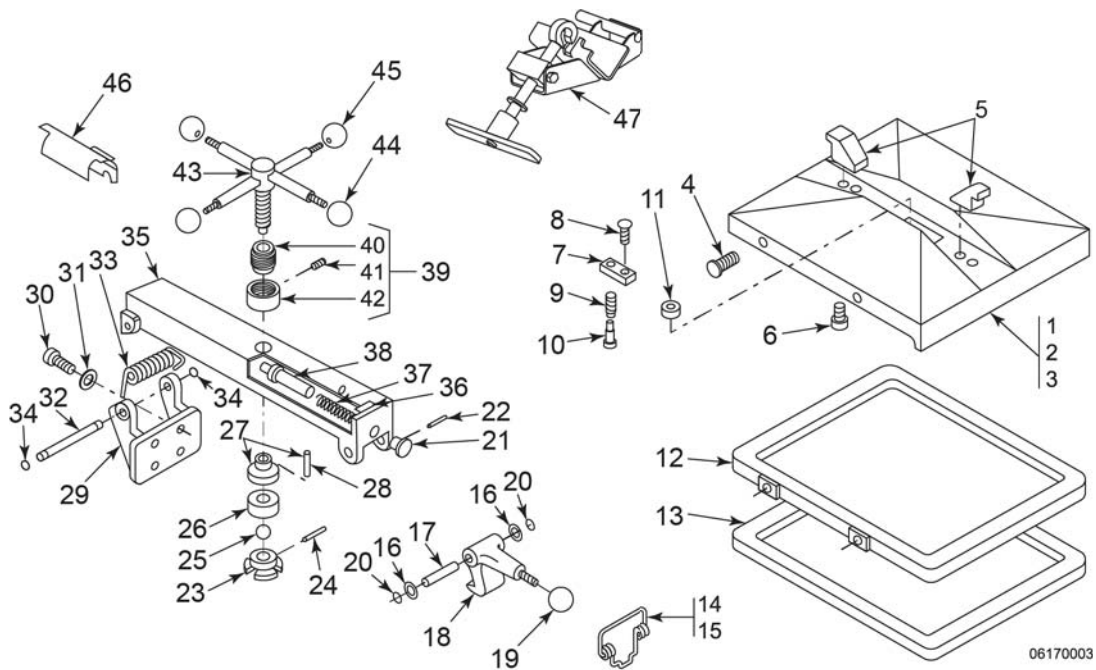


Figure 3-10 Lid Components

Item No.	Part No.	Description	Qty.
Recommended Parts			
1	16170	ASSEMBLY, LID	1
2	16169	- ASSEMBLY, COVER	1
3	16155	- COVER, LID	1
4	SC01-083	- SCREW, LID COVER	4
5	16133	- HOOK, COVER RETAINING	2
6	SC06-027	- SCREW, RETAINING HOOK	4
7	16166	- RETAINER	1
8	SC06-10	- SCREW, RETAINING HOOK (ALLEN HEAD)	1
9	16165	- SPRING, RETURN	1
10	16164	- PIN, LOCKING	1
11	16163	- BALL, SEAT	1
12	16119	- LINER, INNER LID (Use on units older than 03/01)	1

Item No.	Part No.	Description	Qty.
12	63729	- LINER, INNER LID (Use on units newer than 03/01)	
13	16120	- GASKET, REVERSIBLE - INNER LID LINER	1
14	16199	KIT, LATCH SPRING	1
15	33480	- SPRING	1
16	16198	- SPACER	2
17	16197	- PIN, LATCH	1
18	16116	LATCH, LID	1
19	16102	KNOB, LATCH	1
20	16121	RING, TRU-ARC LATCH	2
21	16137	KNOB, RETAINING PIN	1
22	16138	PIN, KNOB ROLL	1
23	16157	COLLAR, LOCKING	1
23	27325	COLLAR, LOCKING (CE)	1
24	16158	PIN, LOCKING COLLAR	1
24	27351	PIN, LOCKING COLLAR (CE)	1
25	16159	BALL, THRUST	1
26	27326	NUT, IDLE	1
27	27329	NUT, ACME	1
28	16162	- PIN, ACME NUT	2
29	16112	HINGE, LID ASSEMBLY	1
30	SC01-081	- SCREW, LID HINGE	4
31	LW01-010	- WASHER, LOCK - LID HINGE	4
32	16110	- PIN, LID HINGE	1
33	75293	HINGE, LID SPRING	1
34	16111	RING, RETAINER - TRU-ARC - HINGE	2
35	16154	BAR, CENTER CROSS	1
35	26884	BAR, CENTER CROSS (CE)	1
36	36099	DECAL, DANGER	1
37	16136	SPRING, RETAINING PIN	1

Item No.	Part No.	Description	Qty.
38	16135	COVER, RETAINING PIN	1
39	16171	STOP, LIMIT ASSEMBLY	1
40	16153	- STOP, LIMIT	1
41	16156	- SCREW, SET - LIMIT STOP COLLAR	2
42	16152	- COLLAR, LIMIT STOP	2
43	16168	ASSY., SPINDLE ASSEMBLY	1
43	26911	ASSY., SPINDLE ASSEMBLY (CE)	1
44	16102	KNOB, SPINDLE - RED	1
45	16101	KNOB, SPINDLE - BLACK	3
46	29587	COVER, SPRING	1
47*	14960	KIT, SPRING LOADING TOOL	1
48*	162410	GAUGE, LATCH CATCH TOOL	1

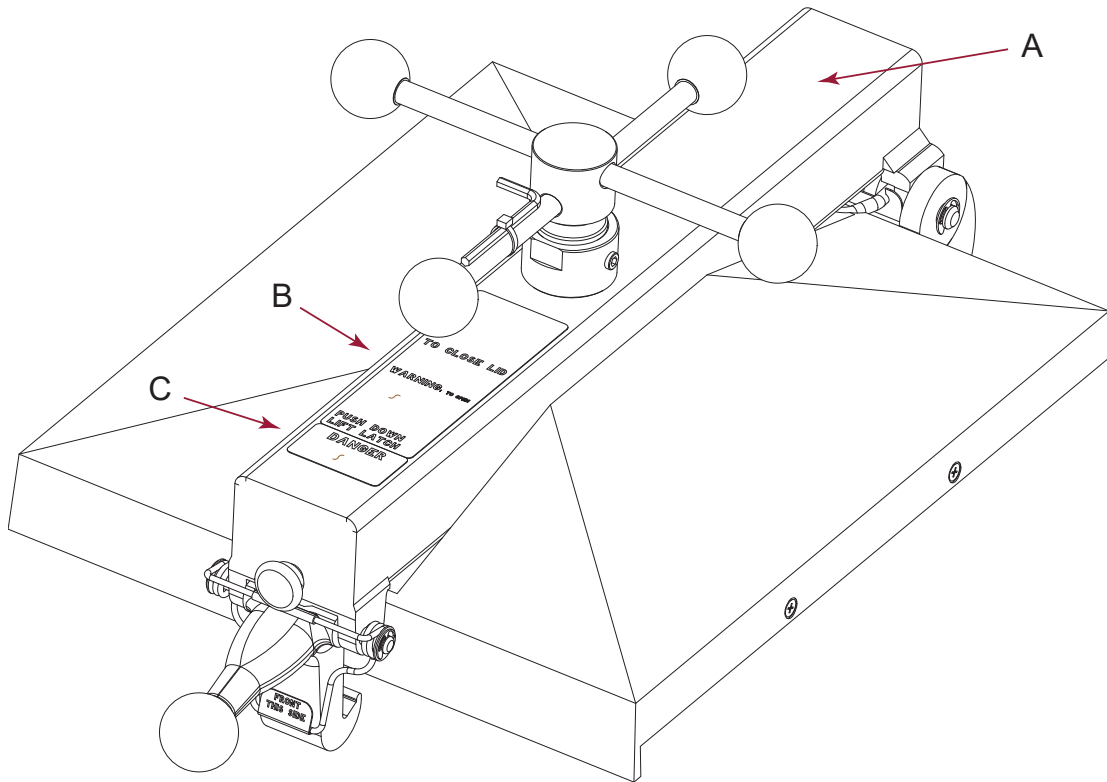


Figure 3-11 Complete Lid w/ Crossbar Assembly (with Language Specific Labels)

NOTE: A, B, C columns below are labels only as reflected in the [Figure 3-11 Complete Lid w/ Crossbar Assembly \(with Language Specific Labels\)](#), page 110.

			PART (A)	PART (B)	PART (C)
PART NUMBER	DESCRIPTION	LANGUAGE	Center Bar Assembly	Lid Operating Instructions	Danger
154867-001	ASSY., LID W/ LABELS	ENGLISH - UL	48611	16181	36099
154867-002	ASSY., LID W/ LABELS	ENGLISH/ FRENCH - UL	48611	16181 & 70920	70919
154867-003	ASSY., LID W/ LABELS	ENGLISH/ SPANISH - UL	48611	16181 & 48666	44884
154867-004	ASSY., LID W/ LABELS	ENGLISH - CE	26885	16181	36099

			PART (A)	PART (B)	PART (C)
PART NUMBER	DESCRIPTION	LANGUAGE	Center Bar Assembly	Lid Operating Instructions	Danger
154867-005	ASSY., LID W/ LABELS	ARABIC - CE	26885	96901	96902
154867-006	ASSY., LID W/ LABELS	BULGARIAN - CE	26885	93682	93674
154867-007	ASSY., LID W/ LABELS	CROATION - CE	26885	95067	95068
154867-008	ASSY., LID W/ LABELS	CZECH - CE	26885	68279	68271
154867-009	ASSY., LID W/ LABELS	DANISH - CE	26885	61044	61033
154867-010	ASSY., LID W/ LABELS	DUTCH - CE	26885	61072	61067
154867-011	ASSY., LID W/ LABELS	ESTONIAN - CE	26885	67781	67778
154867-012	ASSY., LID W/ LABELS	FINNISH - CE	26885	61567	61289
154867-013	ASSY., LID W/ LABELS	FRENCH - CE	26885	48694	44885
154867-014	ASSY., LID W/ LABELS	GERMAN - CE	26885	18643	34477
154867-015	ASSY., LID W/ LABELS	GREEK - CE	26885	61564	61396
154867-016	ASSY., LID W/ LABELS	HUNGARIAN - CE	26885	70536	97196
154867-017	ASSY., LID W/ LABELS	ITALIAN - CE	26885	61565	61362
154867-018	ASSY., LID W/ LABELS	LATVIAN - CE	26885	68468	68470
154867-019	ASSY., LID W/ LABELS	LITHUANIAN - CE	26885	68280	68272
154867-020	ASSY., LID W/ LABELS	NORWEGIAN - CE	26885	67745	67742
154867-021	ASSY., LID W/ LABELS	POLISH - CE	26885	46994	86487
154867-022	ASSY., LID W/ LABELS	PORTUGUESE - CE	26885	61563	61255

			PART (A)	PART (B)	PART (C)
PART NUMBER	DESCRIPTION	LANGUAGE	Center Bar Assembly	Lid Operating Instructions	Danger
154867-023	ASSY., LID W/ LABELS	SCHI - CE	26885	77422	77429
154867-024	ASSY., LID W/ LABELS	SLOVAK - CE	26885	74003	97197
154867-025	ASSY., LID W/ LABELS	SPANISH - CE	26885	48666	44884
154867-026	ASSY., LID W/ LABELS	SWEDISH - CE	26885	61566	61322

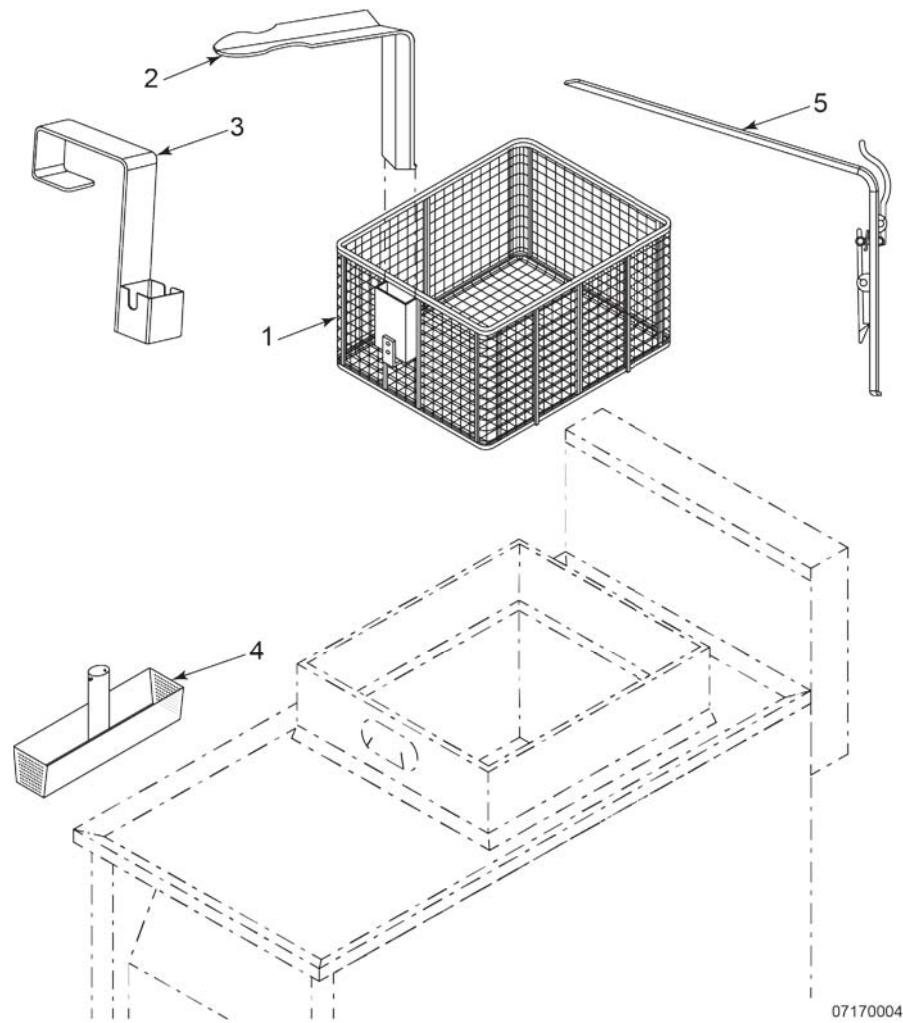
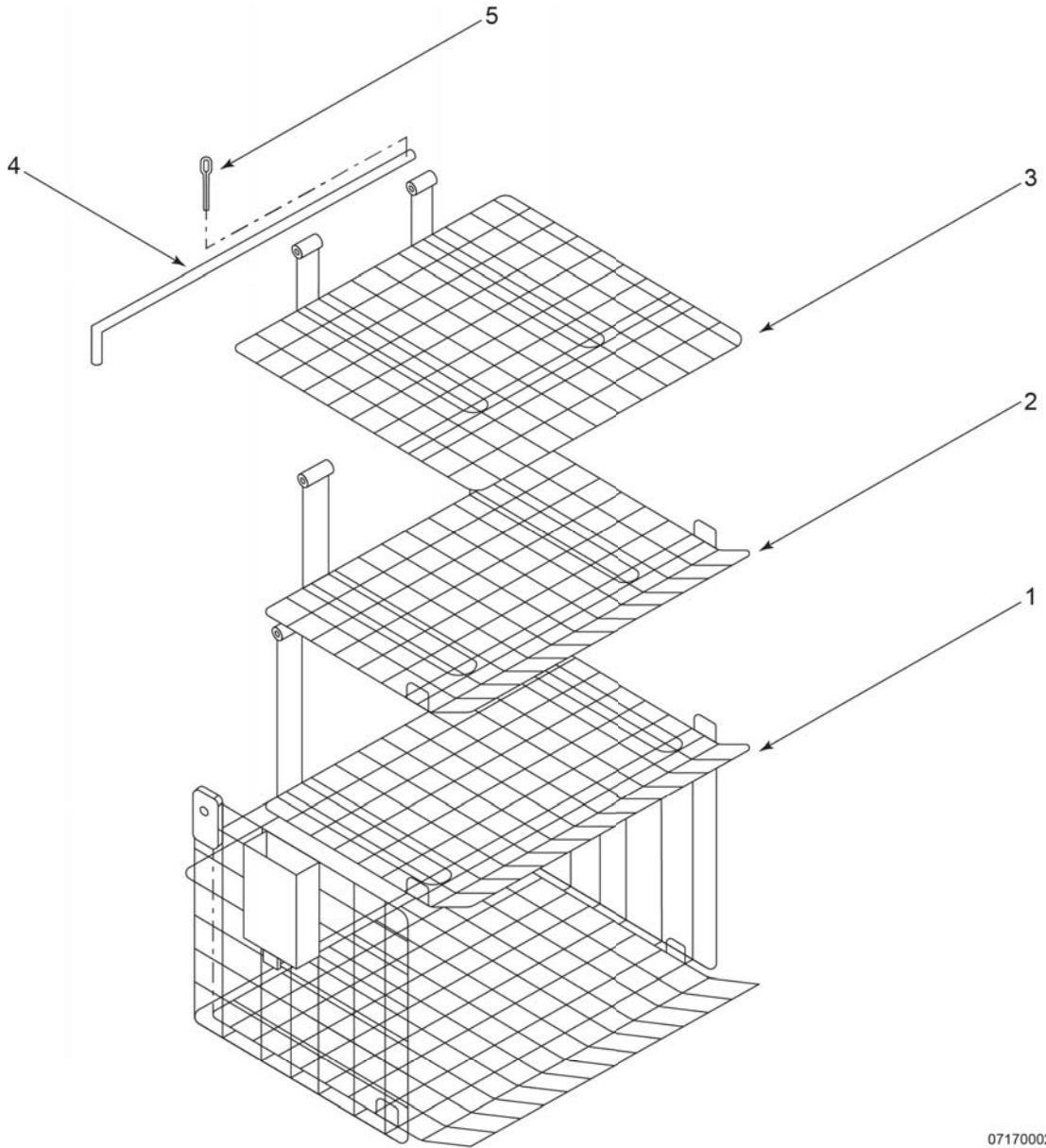


Figure 3-12 Fry Basket

Item No.	Part No.	Description	Qty.
* Not Shown			
1	17801	BASKET, W/O LEGS - GAS MODEL ONLY	1
2	165801	HANDLE	1
3	24438	ASSY., WELD-CRUMB BASKET HANDLE	1
4	03397	ASSY., WELD-CRUMB PAN/TUBE - PFG-600 W/ HANDLE	1
5	64071	HANDLE, LOCKING ASSEMBLY	1
6*	19535	SUPPORT, 1/2 SIZE BASKET - MODEL 600	1
7*	19509	BASKET, 1/2 SIZE - MODEL 600	2
7*	72009	BASKET, CHICKEN FILET (McDs) - MODEL 600	1
8*	72294	INSERT, DROP-IN FILLET BASKET (McDs)	1
9*	19545	BASKET, BIG BIRD (KFC) - MODEL 600	1



07170002

Figure 3-13 3 Tier Wire Basket

Item No.	Part No.	Description	Qty.
-	64058	BASKET, STAINLESS STEEL	1
1	64060	- SHELF, 2ND	1
2	64061	- SHELF, 3RD	1

Item No.	Part No.	Description	Qty.
3	64062	- COVER	1
4	19536	- ROD, PIVOT	1
5	PN01-001	- PIN, COTTER	1

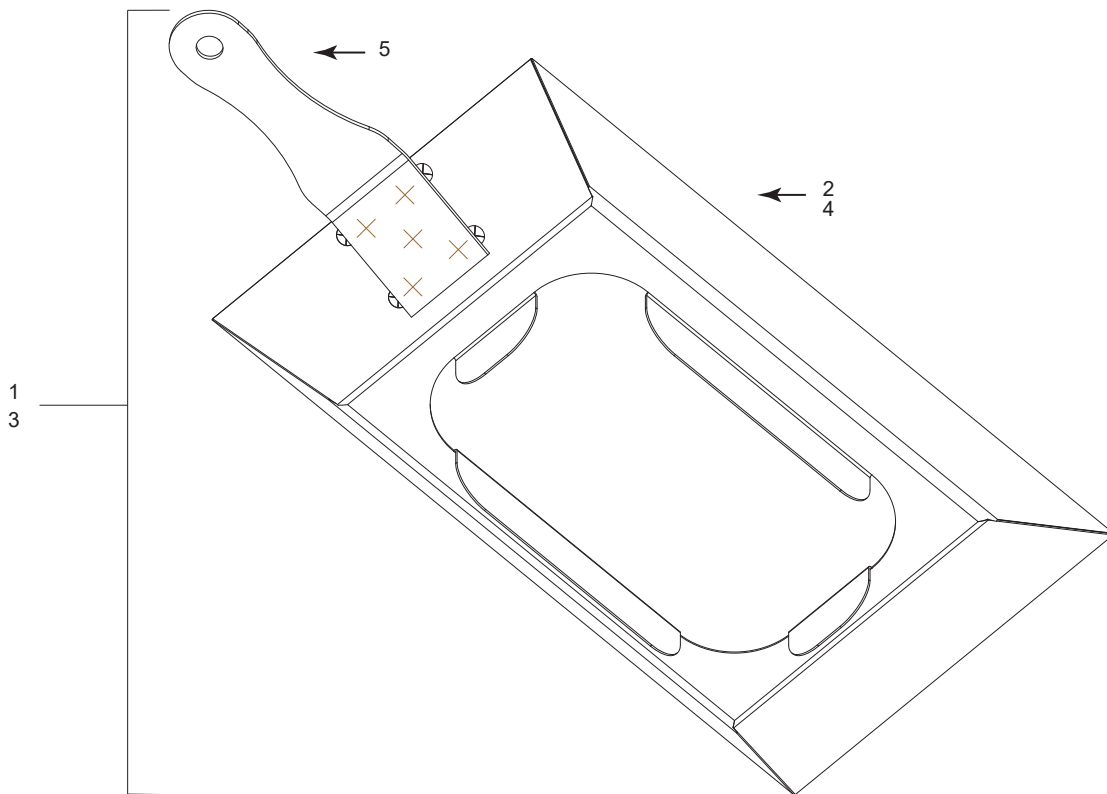


Figure 3-14 CFA Half-Quarter Size Funnels

Item No.	Part No.	Description	Qty.
1	168347	ASSY., FUNNEL CFA HALF SIZE (NARROW)	1
2	168348	- FUNNEL, CFA HALF SIZE (NARROW)	1
3	168351	ASSY., FUNNEL CFA QUARTER	1
4	168352	- FUNNEL, CFA QUARTER SIZE	1
5	162234	HANDLE, CFA FUNNEL	1

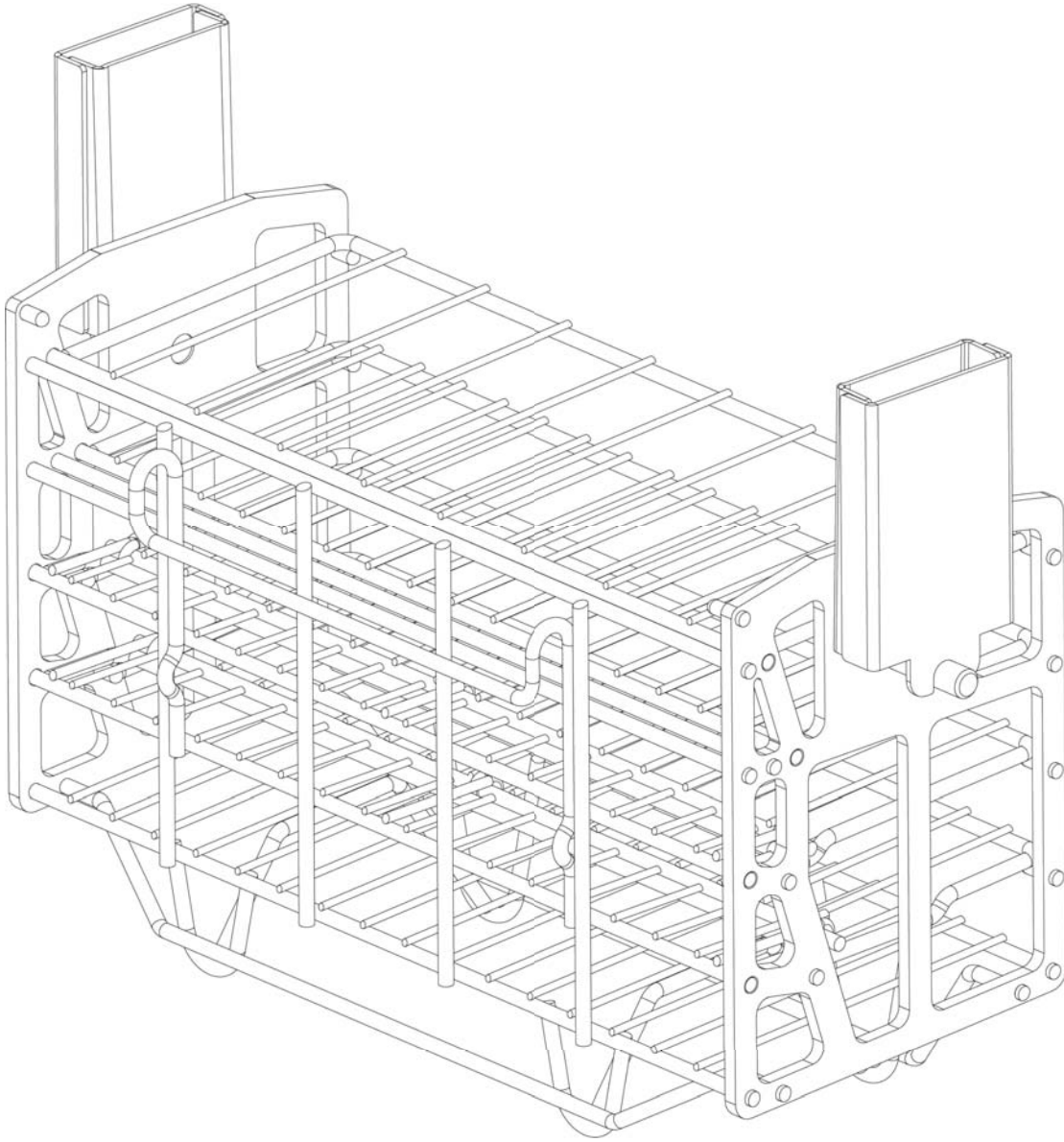
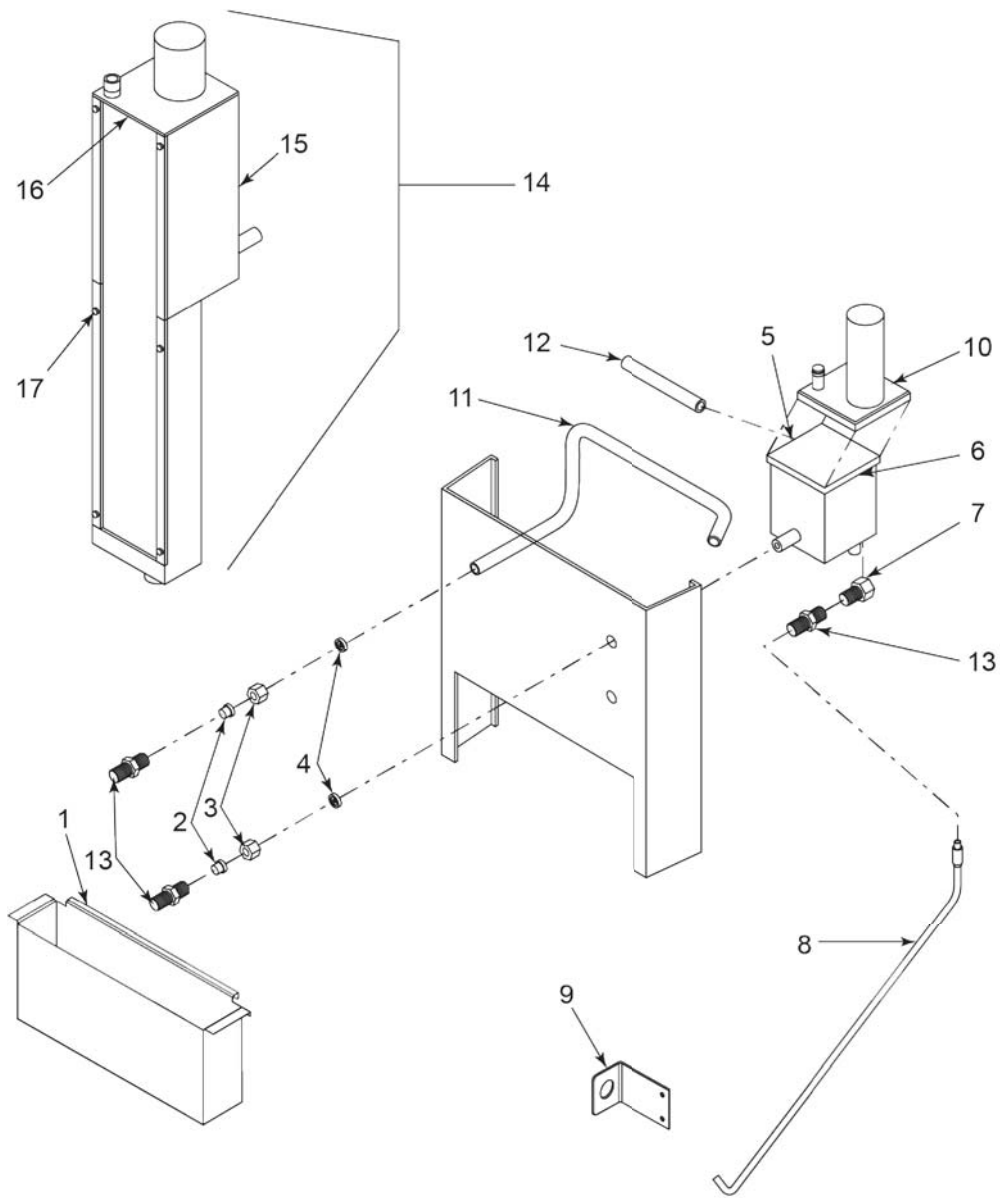


Figure 3-15 CFA Double Hinged Basket

Item No.	Part No.	Description	Qty.
1	168952	BASKET, TIERED 4HD DOUBLE HINGED	1



07170006

Figure 3-16 Exhaust Stack Assembly

Item No.	Part No.	Description	Qty.
1	68086	PAN, CONDENSATE DRAIN	1
1	64274	PAN, CONDENSATE DRAIN - SHORT (CFA - JB095JA TO HB013JB)	1
2	16817	FITTING, TEFLON SLEEVE	2

Item No.	Part No.	Description	Qty.
3	16809	NUT, FITTING	2
4	16804	GROMMET, UMBRELLA	2
5	USE 65724	CONDENSATE BOX, BOTTOM (EB016JB TO HB013JB (EXCEPT EB018JB & EB019HB))	-
5	USE 65724	CONDENSATE BOX, BOTTOM (EB020JB TO HB016JB)	-
5	USE 65724	CONDENSATE BOX, BOTTOM (EA015JB TO GA085JB)	1
6	SC02-016	SCREW, #8-32-AB X 1/2 PH PHD S	4
7	FP01-122	REDUCER, 3/8 TO 1/2 BI	1
8	18506	LINE ASSY., CONDENSATION (KB020JJ & BELOW)	-
8	55432	LINE ASSY., CONDENSATION (KB029JJ & BELOW)	-
8	16838	LINE ASSY., CONDENSATION (KA020JJ & BELOW)	1
8	14320	LINE ASSY., CONDENSATION (KB021JJ TO BB016JA)	-
8	14320	LINE ASSY., CONDENSATION (KB030JJ TO BB055JA)	-
8	14320	LINE ASSY., CONDENSATION (KA021JJ TO BA026JA)	1
8	64016	LINE ASSY., CONDENSATION (BB017JA TO EB015JB)	-
8	64016	LINE ASSY., CONDENSATION (BB056JA TO EB019JB)	-
8	64016	LINE ASSY., CONDENSATION (BA027JA TO EA014JB)	1
8	24998	LINE ASSY., CONDENSATION (EB016JB TO HB013JB (EXCEPT EB018JB & EB019HB))	-
8	24998	LINE ASSY., CONDENSATION (EB020JB TO HB016JB)	-
8	24998	LINE ASSY., CONDENSATION (EA015JB TO GA085JB)	1
8	69009	LINE ASSY., CONDENSATION (HB014JB & ABOVE)	-
8	69009	LINE ASSY., CONDENSATION (HB017JB & ABOVE)	-
8	69009	LINE ASSY., CONDENSATION (GA086JB & ABOVE)	1
9	63992	BRACKET, CONDENSATION HOSE	1
10	64013	CONDENSATE BOX, TOP (KB021JJ TO BB016JA)	-
10	64013	CONDENSATE BOX, TOP (KB030JJ TO BB055JA)	-
10	64013	CONDENSATE BOX, TOP (KA021JJ TO BA026JA)	1
10	64013	CONDENSATE BOX, TOP (BB017JA TO EB015JB)	-

Item No.	Part No.	Description	Qty.
10	64013	CONDENSATE BOX, TOP (BB056JA TO EB019JB)	-
10	64013	CONDENSATE BOX, TOP (BA027JA TO EA014JB)	1
10	USE 65724	CONDENSATE BOX, TOP (EB016JB TO HB013JB (EXCEPT EB018JB & EB019HB))	-
10	USE 65724	CONDENSATE BOX, TOP (EB020JB TO HB016JB)	-
10	USE 65724	CONDENSATE BOX, TOP (EA015JB TO GA085JB)	1
11	16854	TUBE SS, DEAD WEIGHT (KA020JJ & BELOW)	1
11	59221	TUBE SS, DEAD WEIGHT (KB021JJ TO BB016JA)	-
11	59221	TUBE SS, DEAD WEIGHT (KB030JJ TO BB055JA)	-
11	59221	TUBE SS, DEAD WEIGHT (KA021JJ TO BA026JA)	1
11	59221	TUBE SS, DEAD WEIGHT (BB017JA TO EB015JB)	-
11	59221	TUBE SS, DEAD WEIGHT (BB056JA TO EB019JB)	-
11	59221	TUBE SS, DEAD WEIGHT (BA027JA TO EA014JB)	1
11	65621	TUBE SS, DEAD WEIGHT (EB016JB TO HB013JB (EXCEPT EB018JB & EB019HB))	-
11	65621	TUBE SS, DEAD WEIGHT (EB020JB TO HB016JB)	-
11	65621	TUBE SS, DEAD WEIGHT (EA015JB TO GA085JB)	1
11	65621	TUBE SS, DEAD WEIGHT (HB014JB & ABOVE)	-
11	65621	TUBE SS, DEAD WEIGHT (HB017JB & ABOVE)	-
11	65621	TUBE SS, DEAD WEIGHT (GA086JB & ABOVE)	1
12	63195	FLEX HOSE, TO CONDUIT BOX (KB021JJ TO BB016JA)	-
12	63195	FLEX HOSE, TO CONDUIT BOX (KB030JJ TO BB055JA)	-
12	63195	FLEX HOSE, TO CONDUIT BOX (KA021JJ TO BA026JA)	1
12	63195	FLEX HOSE, TO CONDUIT BOX (BB017JA TO EB015JB)	-
12	63195	FLEX HOSE, TO CONDUIT BOX (BB056JA TO EB019JB)	-
12	63195	FLEX HOSE, TO CONDUIT BOX (BA027JA TO EA014JB)	1
12	52124	FLEX HOSE, TO CONDUIT BOX (EB016JB TO HB013JB (EXCEPT EB018JB & EB019HB))	-
12	52124	FLEX HOSE, TO CONDUIT BOX (EB020JB TO HB016JB)	-

Item No.	Part No.	Description	Qty.
12	52124	FLEX HOSE, TO CONDUIT BOX (EA015JB TO GA085JB)	1
12	52124	FLEX HOSE, TO CONDUIT BOX (HB014JB & ABOVE)	-
12	52124	FLEX HOSE, TO CONDUIT BOX (HB017JB & ABOVE)	-
12	52124	FLEX HOSE, TO CONDUIT BOX (GA086JB & ABOVE)	1
13	16807	CONNECTOR, MALE	3
14	58852	CONDENSATE BOX (KB021JJ TO BB016JA)	-
14	58852	CONDENSATE BOX (KB030JJ TO BB055JA)	-
14	58852	CONDENSATE BOX (KA021JJ TO BA026JA)	1
14	58852	CONDENSATE BOX (BB017JA TO EB015JB)	-
14	58852	CONDENSATE BOX (BB056JA TO EB019JB)	-
14	58852	CONDENSATE BOX (BA027JA TO EA014JB)	1
14	USE 65724	CONDENSATE BOX (EB016JB TO HB013JB (EXCEPT EB018JB & EB019HB))	-
14	USE 65724	CONDENSATE BOX (EB020JB TO HB016JB)	-
14	USE 65724	CONDENSATE BOX (EA015JB TO GA085JB)	1
14	65724	CONDENSATE BOX (HB014JB & ABOVE)	-
14	65724	CONDENSATE BOX (HB017JB & ABOVE)	-
14	65724	CONDENSATE BOX (GA086JB & ABOVE)	1
15	65725	- WELD ASSY., STEAM BOX - OUTER	1
16	65726	- WELD ASSY., STEAM BOX - INNER	1
17	SC04-003	- SCREW, #8-32 X 3/8 PH PHD S	6

NOTICE

Turn safety relief valve toward rear of fryer.

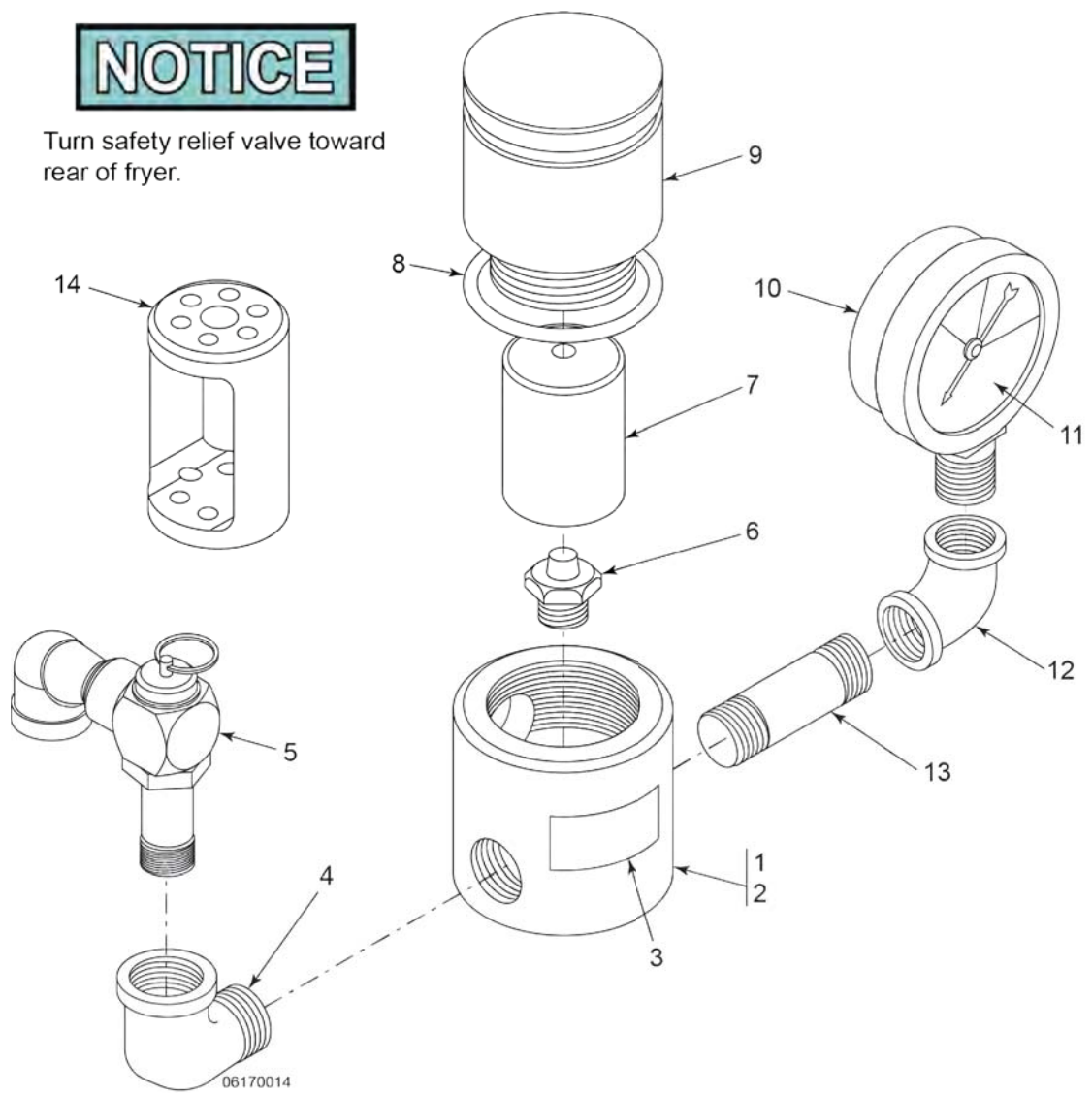


Figure 3-17 Deadweight Valve Assembly

Item No.	Part No.	Description	Qty.
Recommended Parts * Not Shown			
1	16924	VALVE ASSEMBLY, DEADWEIGHT	1
2	56305	- BODY, DEADWEIGHT VALVE	1
3	16912	- DECAL, DEADWEIGHT VALVE	1
4	FP01-127	- ELBOW, 1/2 X 1/2 90 DEGREE STREET	1

Item No.	Part No.	Description	Qty.
5	59742	- VALVE ASSEMBLY, RELIEF	1
6	16918	- ORIFICE, DEADWEIGHT	1
6	27910	- ORIFICE, DEADWEIGHT - 3 LB. (USE W/ 28922)	1
7	28922	- DEADWEIGHT - 3 LB. (USE W/ 27910)	1
7	16903	- DEADWEIGHT - 12 LB.	1
7	81343	- DEADWEIGHT - 11 LB. (MALAYSIA)	1
7	32729	- DEADWEIGHT - 7 LB.	1
8	16902	- RING, CAP	1
9	56307	- CAP, DEADWEIGHT VALVE	1
10	16910	GAUGE, PRESSURE	1
11	16914	GLASS, PRESSURE GAUGE	1
12	16909	ELBOW	1
13	56636	NIPPLE	1
14	65449	DEADWEIGHT - 3 LB.	1
15*	140463	KIT, PRESSURE TEST GAUGE	1

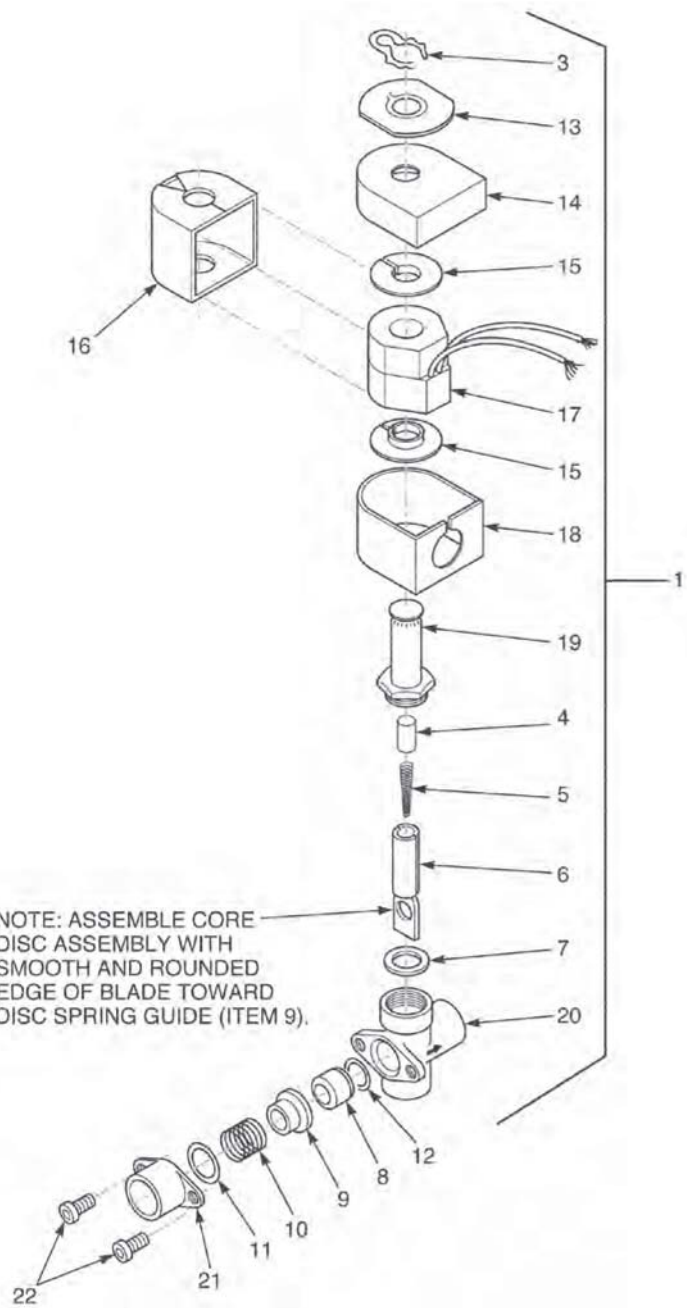
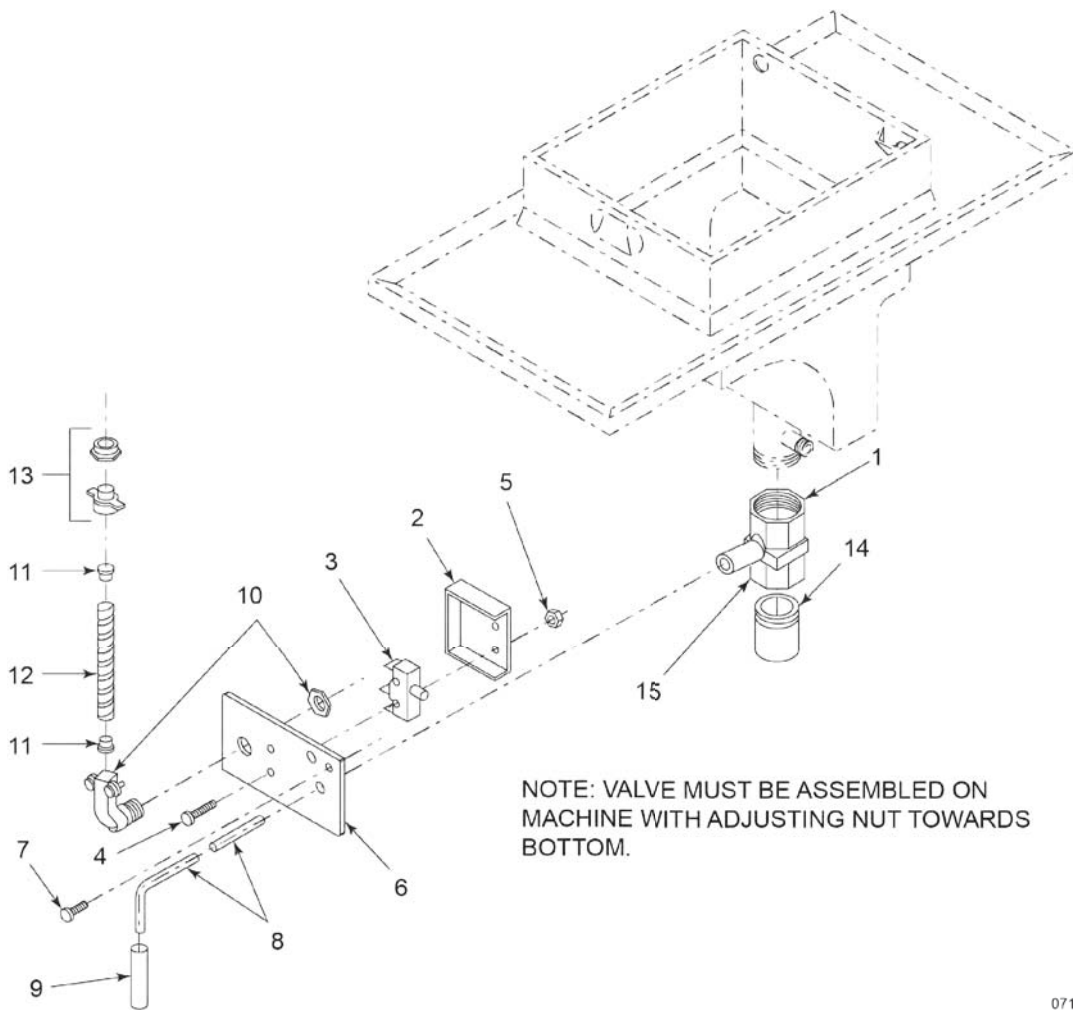


Figure 3-18 Solenoid Valve Assembly

Item No.	Part No.	Description	Qty.
Recommended Parts * Not Shown			
1	17121	VALVE, SOLENOID - 120 VOLT - 60 CYCLE	1
1	18724	VALVE, SOLENOID - 208-240 VOLT - 50 CYCLE	1
1	18721	VALVE, SOLENOID - 208/240 VOLT - 60 CYCLE	1
1	29515	VALVE, SOLENOID - 24 VOLT - 60 CYCLE	1
1	29698	VALVE, SOLENOID - 24 VOLT - 50 CYCLE	1
1	54945	VALVE, SOLENOID - 208-240 VOLT - 50 CYCLE - (CE)	1
1	54971	VALVE, SOLENOID - 24 VOLT - 50 CYCLE - (CE)	1
2	17120	- KIT, SOLENOID VALVE REPAIR	1
3	17101	- CLIP, RETAINING	1
4	17109	- RETAINER, SPRING	1
5	17110	- SPRING, CORE	1
6	17111	- CORE, DISC ASSEMBLY	1
7	17112	- GASKET, BONNET	1
8	17114	- SEAT, TEFLON	1
9	17115	- GUIDE, DISC SPRING	1
10	17116	- SPRING, DISC	1
11	17117	- RING, SPRING RETAINER	1
12	17122	- SEAT, O-RING SEAL	1
13	17102	- PLATE, SOLENOID NAME	1
14	17103	- COVER, COIL HOUSING	1
15	17104	- WASHER, COIL	2
16	17105	- YOKE, COIL	1
17	17106	- COIL, 120 VOLT - 60 CYCLE	1
17	18706	- COIL, 208/240 VOLT - 60 CYCLE	1
17	18726	- COIL, 208-240 VOLT - 50 CYCLE	1
17	29547	- COIL, 24 VOLT - 60 CYCLE	1
17	29575	- COIL, 24 VOLT - 50 CYCLE	1

Item No.	Part No.	Description	Qty.
18	17123	- HOUSING, COIL	1
19	17108	- BONNET, SOLENOID	1
20	17113	- BODY, SOLENOID VALVE	1
21	17118	ADAPTER, PIPE	1
22	SC01-132	SCREW, ADAPTER	2

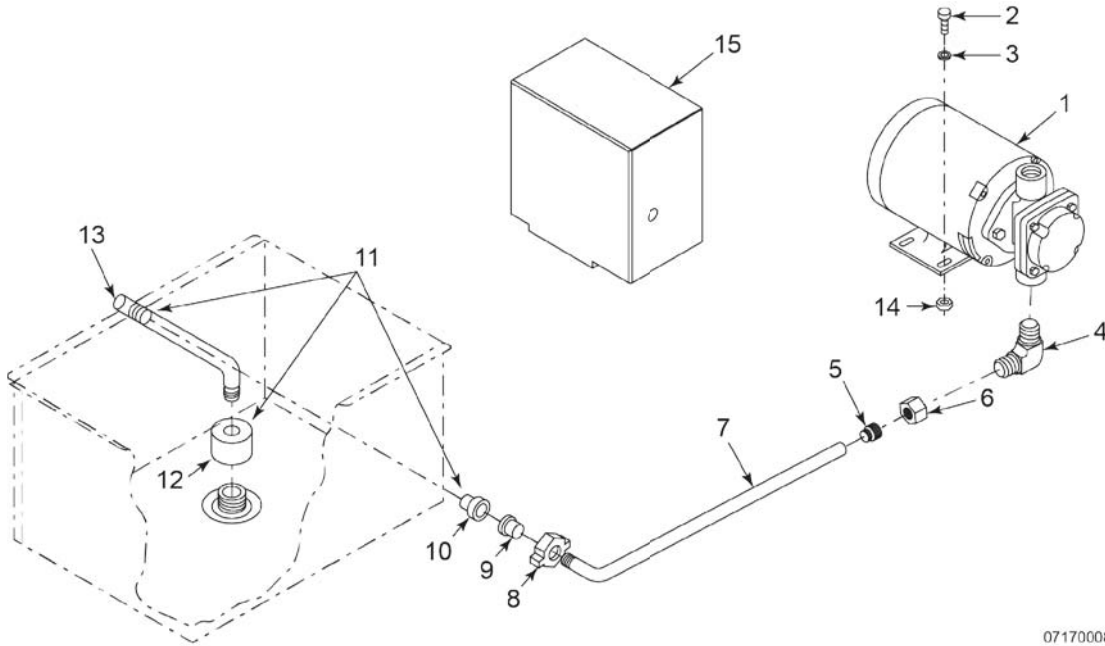


07170007

Figure 3-19 Drain Valve Assembly

Item No.	Part No.	Description	Qty.
Recommended Parts * Not Shown			
1	17261	BODY, DRAIN VALVE (JUNE 1998 & ABOVE)	1
1	55152	ASSY., DRAIN VALVE & COUPLING (MAY 1998 & BELOW)	1
2	17210	COVER, MICROSWITCH	1
3	18227	MICROSWITCH	1
4	SC01-058	SCREW, MICROSWITCH	2

Item No.	Part No.	Description	Qty.
5	NS02-005	NUT, MICROSWITCH	2
6	17211	BRACKET, DRAIN - VALVE ROD	1
7	SC03-005	SCREW, DRAIN BRACKET	2
8	17254	ROD, DRAIN VALVE - NORMALLY CLOSED	1
8	67661	ROD, DRAIN VALVE - NORMALLY OPEN	1
9	16293	COVER, VALVE HANDLE	1
10	18644	CONNECTOR 90° FLEXIBLE CONDUIT (INCLUDES NUT)	1
11	18105	INSULATOR	2
12	17214	CONDUIT, FLEXIBLE	1
13	18111	CONNECTOR, FLEXIBLE CONDUIT (INCLUDES NUT)	1
14	18819	EXTENSION NIPPLE (KA020JJ & BELOW)	1
14	18817	EXTENSION NIPPLE (KA021JJ TO GA085JB)	1
14	24647	EXTENSION & DEFLECTOR (GA086JB & ABOVE)	1
15	17255	PIN, COTTER	2
16*	14652	KIT, PFG-600 NORM OPEN DRAIN SWITCH	1



07170008

Figure 3-20 Lower Filter Plumbing Components

Item No.	Part No.	Description	Qty.
Recommended Parts * Not Shown			
1	67589	PUMP, FILTER MOTOR	1
1	67583	- MOTOR ONLY, 1/2 HORSE POWER	1
1	17437	- PUMP ONLY	1
1	17476	- KIT, SEAL - PUMP	1
2	SC01-022	SCREW, MOTOR	8
3	WA01-002	WASHER	8
4	17407	CONNECTOR, MALE ELBOW	1
5	16808	FITTING, SLEEVE	1
6	16809	NUT, FITTING	1
7	16812 (INCLUDES 16808 & 16809)	ASSY., PUMP RETURN TUBE (KB020JJ & BELOW)	-

Item No.	Part No.	Description	Qty.
7	64331 (USE IF PAN HAS COVER)	ASSY., PUMP RETURN TUBE (KB020JJ & BELOW)	-
7	16812 (INCLUDES 16808 & 16809)	ASSY., PUMP RETURN TUBE (KB029JJ & BELOW)	-
7	64331 (USE IF PAN HAS COVER)	TUBE, PAN RETURN (KB029JJ & BELOW)	-
7	16812 (INCLUDES 16808 & 16809)	ASSY., PUMP RETURN TUBE (KA020JJ & BELOW)	1
7	64331 (USE IF PAN HAS COVER)	TUBE, PUMP RETURN TUBE (KA020JJ & BELOW)	1
7	58877	TUBE, PUMP RETURN TUBE (KB021JJ TO HB013JB)	-
7	58877	TUBE, PUMP RETURN TUBE (KB030JJ TO HB016JB)	-
7	58877	TUBE, PUMP RETURN TUBE (KA021JJ TO GA085JB)	-
7	23800 (INCLUDES 16808 & 16809)	ASSY., PUMP RETURN TUBE (HB014JB & ABOVE)	-
7	23800 (INCLUDES 16808 & 16809)	ASSY., PUMP RETURN TUBE (HB017JB & ABOVE)	-
7	23800 (INCLUDES 16808 & 16809)	ASSY., PUMP RETURN TUBE (GA086JB & ABOVE)	1
8	17432 (USE 69289)	FITTING, UNION HANDLE	1
9	17431 (USE 69289)	FITTING, MALE UNION	1
10	17430 (USE 69289)	FITTING, FEMALE UNION (ALSO INCLUDED WITH ITEM 11)	1

Item No.	Part No.	Description	Qty.
11	19102	STANDPIPE ASSY. (KB020JJ & BELOW)	-
11	19102	STANDPIPE ASSY. (KB029JJ & BELOW)	-
11	17433	STANDPIPE ASSY. (KA020JJ & BELOW)	1
11	14732	STANDPIPE ASSY. (KB021JJ TO HB013JB)	-
11	14732	STANDPIPE ASSY. (KB030JJ TO HB016JB)	-
11	14732	STANDPIPE ASSY. (KA021JJ TO GA085JB)	1
11	14659	STANDPIPE ASSY. (HB014JB & ABOVE)	-
11	14659	STANDPIPE ASSY. (HB017JB & ABOVE)	-
11	14664	STANDPIPE ASSY. (GA086JB & ABOVE)	1
12	65208	- NUT, FILTER SCREEN	1
13	19101	- STANDPIPE, TUBE (KB020JJ & BELOW)	-
13	19101	- STANDPIPE, TUBE (KB029JJ & BELOW)	-
13	55367	- STANDPIPE, TUBE (KA020JJ & BELOW)	1
13	70061	- STANDPIPE, TUBE (KB021JJ TO HB013JB)	-
13	70061	- STANDPIPE, TUBE (KB030JJ TO HB013JB)	-
13	70061	- STANDPIPE, TUBE (KA021JJ TO GA085JB)	1
13	23951	- STANDPIPE, TUBE (HB014JB & ABOVE)	-
13	23951	- STANDPIPE, TUBE (HB017JB & ABOVE)	-
13	24284	- STANDPIPE, TUBE (GA086JB & ABOVE)	1
14	NS02-002	NUT, MOTOR	4
15	55281	SHIELD, MOTOR SPLASH (KB020JJ & BELOW) (CE)	-
15	55281	SHIELD, MOTOR SPLASH SHIELD (KA020JJ & BELOW) (CE)	1
15	59731	SHIELD, MOTOR SPLASH SHIELD (KB021JJ TO HB013JB) (CE)	-
15	59731	SHIELD, MOTOR SPLASH SHIELD (KA021JJ TO GA085JB) (CE)	1
15	24644	SHIELD, MOTOR SPLASH SHIELD (HB014JB & ABOVE) (CE)	-

Item No.	Part No.	Description	Qty.
15	24644	SHIELD, MOTOR SPLASH SHIELD (GA086JB & ABOVE) (CE)	1
16*	14064	KIT, KFC FILTER	1
17*	17225	- GIRD, KFC FILTER	1
18*	17226	- CLIP, FILTER	1
19*	17228	- FITTING, MALE FILTER	1
20*	17229	- FITTING, FEMALE FILTER	1

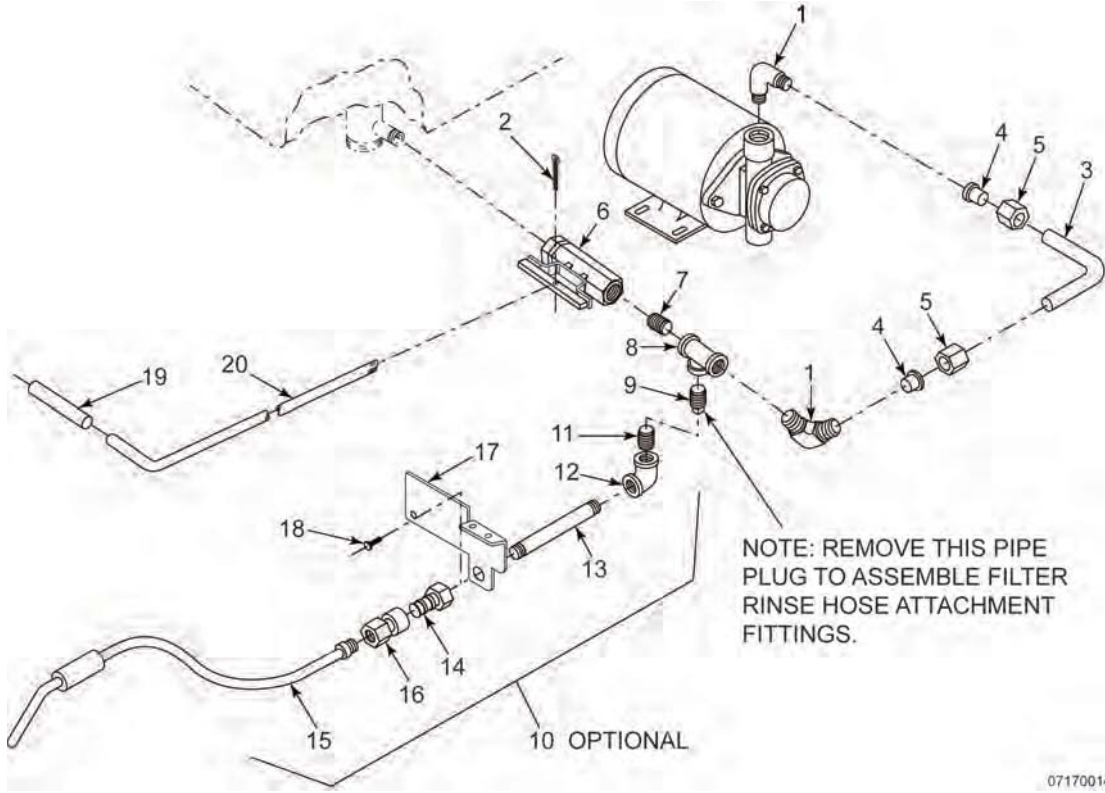


Figure 3-21 Upper Filter Plumbing Components

Item No.	Part No.	Description	Qty.
Recommended Parts * Not Shown			
1	17407	CONNECTOR, MALE ELBOW	2
2	17255	PIN, COTTER - VALVE	1
3	18904	TUBE, PUMP TO VALVE (KB020JJ & BELOW)	-
3	44911	TUBE, PUMP TO VALVE (KB029JJ & BELOW)	-
3	17329	TUBE, PUMP TO VALVE (KA020JJ & BELOW)	1
3	63134	TUBE, PUMP TO VALVE (KB021JJ TO HB013JB)	-
3	63134	TUBE, PUMP TO VALVE (KB030JJ TO HB016JB)	-
3	63246	TUBE, PUMP TO VALVE (KA021JJ TO GA085JB)	1
3	27405	TUBE, PUMP TO VALVE (HB014JB & ABOVE)	-

Item No.	Part No.	Description	Qty.
3	26217	TUBE, PUMP TO VALVE (HB017JB & ABOVE)	-
3	27456	TUBE, PUMP TO VALVE (GA086JB & ABOVE)	1
4	16808	- FITTING, SLEEVE	2
5	16809	- NUT, FITTING	2
6	17308	VALVE ASSEMBLY, FILTER	1
7	FP02-001	NIPPLE, CLOSE	1
8	17306	TEE, PIPE	1
9	FP01-015	PLUG, PIPE	1
10	03002	HOSE ASSY., FILTER RINSE OPTIONAL (MODEL 600)	1
11	FP02-007	- NIPPLE, PIPE	1
12	17319	- ELBOW, PIPE	1
13	17320	- PIPE, RINSE HOSE (KB020JJ & BELOW)	-
13	17320	- PIPE, RINSE HOSE (KB029JJ & BELOW)	-
13	17320	- PIPE, RINSE HOSE (KA020JJ & BELOW)	1
13	17320	- PIPE, RINSE HOSE (KB021JJ TO HB013JB)	-
13	17320	- PIPE, RINSE HOSE (KB030JJ TO HB016JB)	-
13	17320	- PIPE, RINSE HOSE (KA021JJ TO GA085JB)	1
13	24982	- PIPE, RINSE HOSE (HB014JB & ABOVE)	-
13	24982	- PIPE, RINSE HOSE (HB017JB & ABOVE)	-
13	24982	- PIPE, RINSE HOSE (GA086JB & ABOVE)	1
14	17334	- FITTING, RINSE HOSE DISCONNECT - MALE	1
15	03003	- HOSE, FILTER RINSE	1
16	17333	- FITTING, RINSE HOSE DISCONNECT - FEMALE	1
17	18419	BRKT, FILTER VALVE & RINSE HOSE (KB020JJ & BELOW)	-
17	44847	BRKT, FILTER VALVE & RINSE HOSE (KB029JJ & BELOW)	-
17	17224	BRKT, FILTER VALVE & RINSE HOSE (KA020JJ & BELOW)	1

Item No.	Part No.	Description	Qty.
17	63193	BRKT, FILTER VALVE & RINSE HOSE (KB021JJ TO HB013JB)	-
17	59958	BRKT, FILTER VALVE & RINSE HOSE (KB030JJ TO HB016JB)	-
17	17224	BRKT, FILTER VALVE & RINSE HOSE (KA021JJ TO GA085JB)	1
17	23917	BRKT, FILTER VALVE & RINSE HOSE (HB014JB & ABOVE)	-
17	23756	BRKT, FILTER VALVE & RINSE HOSE (HB017JB & ABOVE)	-
17	24958	BRKT, FILTER VALVE & RINSE HOSE (GA086JB & ABOVE)	1
18	SC03-005	SCREW, RINSE HOSE BRACKET	2
19	16293	COVER, VALVE ROD	1
20	17311	ROD, FILTER VALVE EXTENSION (MODEL 600)	1
22*	03602	KIT, SHUTTLE CONVERSION (MODEL 600)	1

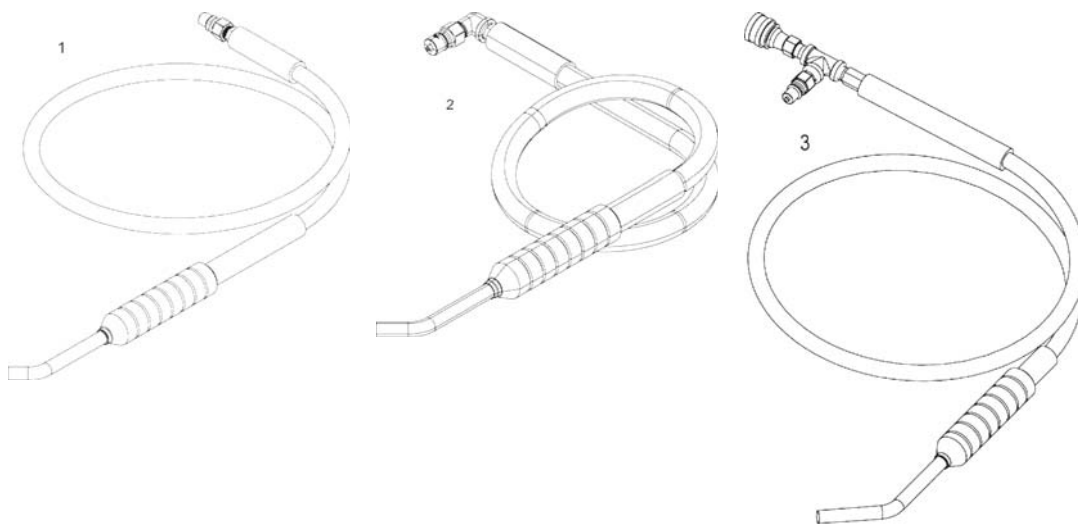
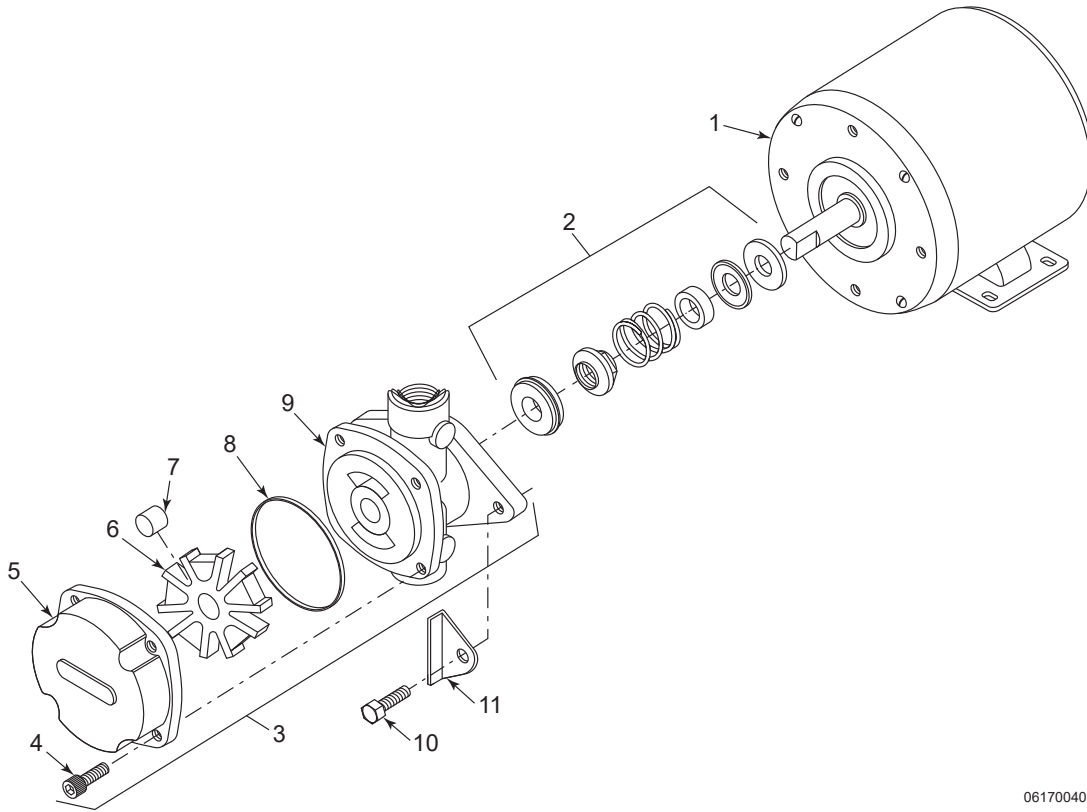


Figure 3-22 Rinse Hose

Item No.	Part No.	Description	500	561
Recommended Parts * Not Shown				
1	165333	HOSE, FILTER RINSE W/ STRAIGHT MALE QUICK DISCONNECT	1	1
2	33494	HOSE, FILTER RINSE W/ 90 DEGREE MALE QUICK DISCONNECT	1	1
3	24904	HOSE, FILTER RINSE W/ 90 DEGREE DUAL GENDER QUICK DISCONNECT	1	1



06170040

Figure 3-23 Filter Motor & Pump

Item No.	Part No.	Description	Qty.
Recommended Parts			
1	67583	MOTOR, 1/2 HP - 50/60 Hz	1
2	17476	KIT, SEAL	1
3	17437	ASSY., PUMP	1

Item No.	Part No.	Description	Qty.
4	SC01-132	SCREW, PUMP COVER	1
5	17451	COVER, PUMP	1
6	17447	ROTOR, PUMP	1
7	17446	ROLLER, PUMP	5
8	17453	O-RING	1
9	17454	BODY, PUMP	1
10	17456	SHIELD, PUMP	2
11	SC01-026	SCREW, PUMP SHIELD	1

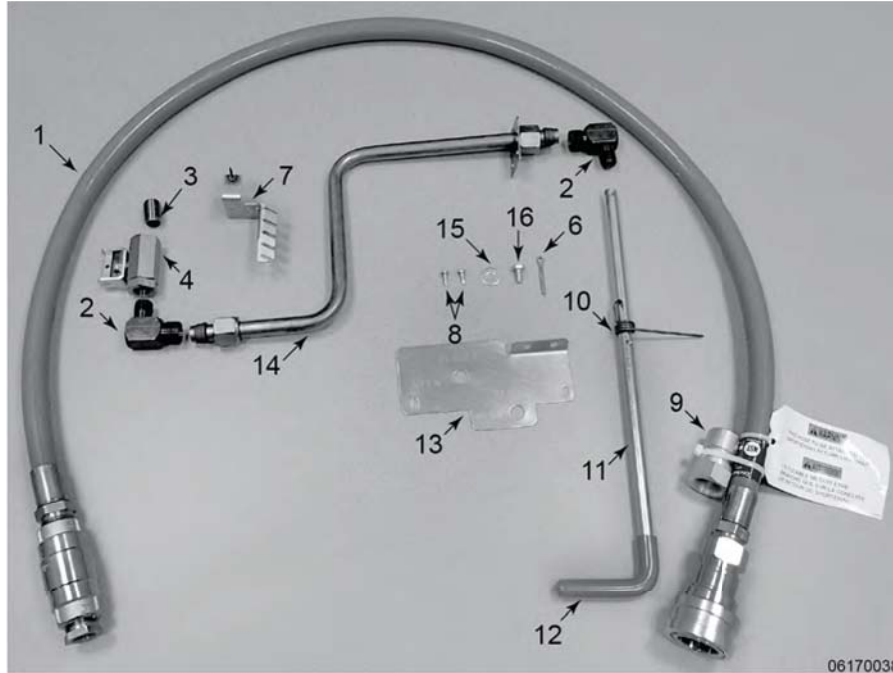


Figure 3-24 Direct-Connect Assembly - Model 600

Item No.	Part No.	Description	Qty.
Recommended Parts * Not Shown			
1	65139	ASSY., DIRECT-CONNECT HOSE	1
2	FP01-079	ELBOW, 5/8 TUBE - 3/8 NPT MALE	2
3	FP02-024	NIPPLE, 3/8 NPT CLOSE BI	1
4	17308	VALVE, FILTER	1
5*	17319	ELBOW, PIPE	1
6	17255	PIN, COTTER	1
7	24641	ASSY., SHORTENING MGT. BRKT	1
8	SC03-005	SCREW, SD #8 X 1/2 PH PHD	2
9	21611	DISCONNECT, MALE	1
10	21874	SPRING, SHORTENING MGT.	1
11	32722	ROD, DIRECT-CONNECT - 600	1
12	29769	GRIP, FRYER HANDLE	1

Item No.	Part No.	Description	Qty.
13	32557	BRACKET, DRAIN ROD - 600	1
14	32648	ASSY., DIRECT-CONNECT TUBE - 600	1
15	WA01-002	WASHER, 1/4 TYPE A-SERIES	1
16	SC01-057	SCREW, 1/4-20 X 1/2 HEX HD	1
17*	14370	KIT, DIRECT-CONNECT (KA020JJ & BELOW)	1
17*	14366	KIT, DIRECT-CONNECT (KA021JJ TO GA085JB)	1
17	14426	KIT, DIRECT-CONNECT (GA086JB & ABOVE)	1

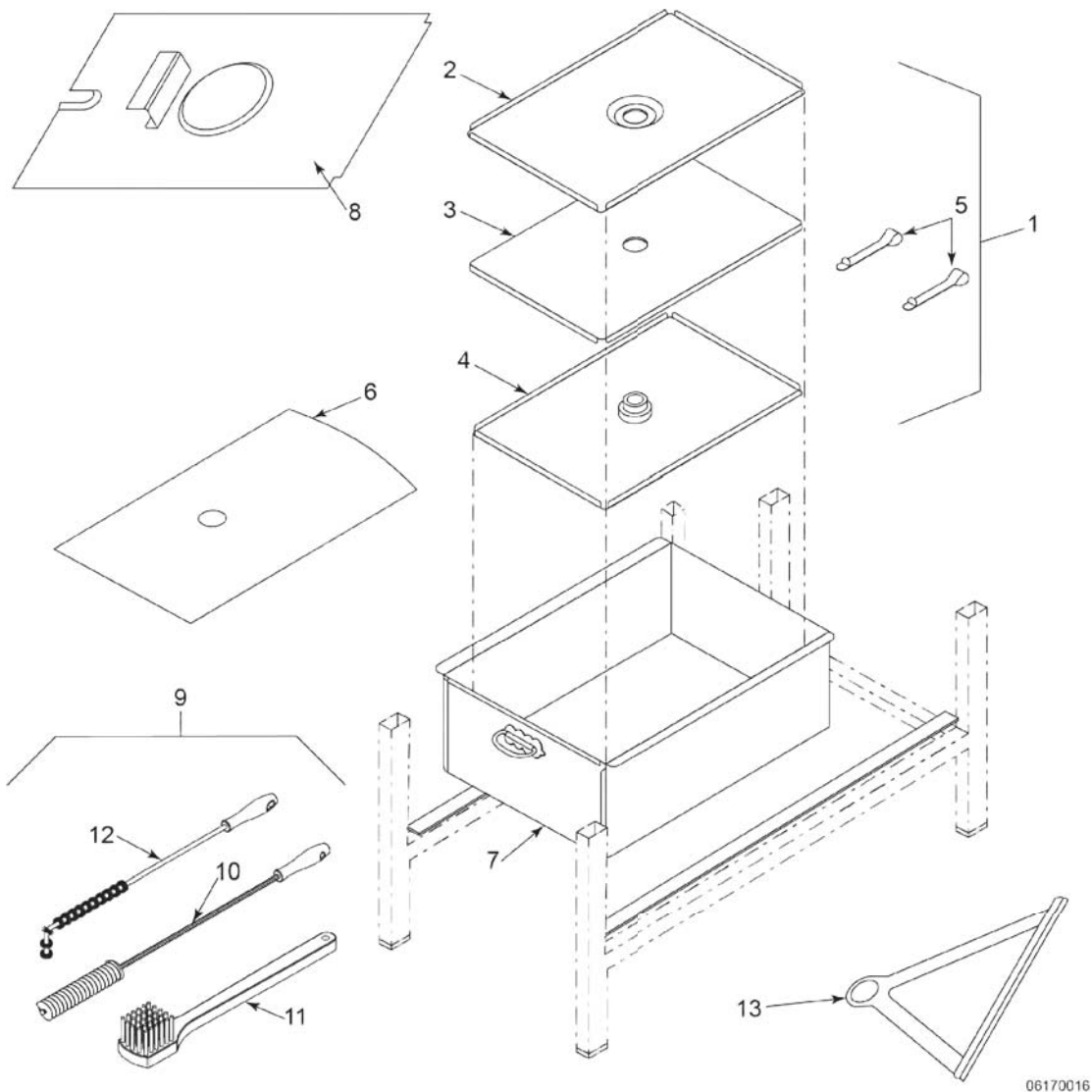


Figure 3-25 Filter Drain Pan & Filter Screen Assembly

Item No.	Part No.	Description	Qty.
Recommended Parts * Not Shown			
1	14671	KIT, GM FILTER SCREEN - SEE Table 3-4 Filter Screen Kits , page 144	1
1	17672	KIT, WENDY'S FILTER SCREENS - SEE Table 3-4 Filter Screen Kits , page 144	1

Item No.	Part No.	Description	Qty.
2	65211	- CATCHER, CRUMB - SS	1
3	NLA	- SCREEN, TOP FILTER	1
4	USE 14671 OR 14672	- SCREEN, BOTTOM FILTER (AN0503086 & BELOW - 600)	1
5	17505	- CLIPS, FILTER ENVELOPE	2
6	12102	FILTER, ENVELOPE PAPER (100 PER CARTON)	1
6	24262	CARBON PAD, FILTER ENVELOPE (30 PER CARTON)	1
6	24263	CARBON, FILTER ENVELOPE (30 PER CARTON)	1
7	19206	PAN, FILTER DRAIN ASSEMBLY (KB020JJ & BELOW)	-
7	19206	PAN, FILTER DRAIN ASSEMBLY (KB029JJ & BELOW)	-
7	17506	PAN, FILTER DRAIN ASSEMBLY (KA020JJ & BELOW)	1
7	58848	PAN, FILTER DRAIN ASSEMBLY (KB021JJ TO BB016JA)	-
7	63203	PAN, FILTER DRAIN ASSEMBLY (KB030JJ TO BB055JA)	-
7	58848	PAN, FILTER DRAIN ASSEMBLY (KA021JJ TO BA026JA)	1
7	64014	PAN, FILTER DRAIN ASSEMBLY (BB017JA TO HB013JB)	-
7	64015	PAN, FILTER DRAIN ASSEMBLY (BB056JA TO HB016JB)	-
7	64014	PAN, FILTER DRAIN ASSEMBLY (BA027JA TO GA085JB)	1
7	24702	PAN, FILTER DRAIN ASSEMBLY (HB014JB & ABOVE)	-
7	24702	PAN, FILTER DRAIN ASSEMBLY (HB017JB & ABOVE)	-
7	17506	PAN, FILTER DRAIN ASSEMBLY (GA086JB & ABOVE)	1
7	23499	PAN, FILTER DRAIN ASSY.. (CFA - JB095JA TO HB013JB)	1
8	18915	COVER, FILTER DRAIN PAN (KB020JJ & BELOW)	-
8	18915	COVER, FILTER DRAIN PAN (KB029JJ & BELOW)	-
8	17512	COVER, FILTER DRAIN PAN (KA020JJ & BELOW)	1
8	64024	COVER, FILTER DRAIN PAN (KB021JJ TO BB016JA)	-
8	64025	COVER, FILTER DRAIN PAN (KB030JJ TO BB055JA)	-

Item No.	Part No.	Description	Qty.
8	64023	COVER, FILTER DRAIN PAN (KA021JJ TO BA026JA)	1
8	64021	COVER, FILTER DRAIN PAN (BB017JA TO HB013JB)	-
8	64022	COVER, FILTER DRAIN PAN (BB056JA TO HB016JB)	-
8	64020	COVER, FILTER DRAIN PAN (BA027JA TO GA085JB)	1
8	68065	COVER, FILTER DRAIN PAN (HB014JB & ABOVE)	-
8	68065	COVER, FILTER DRAIN PAN (HB017JB & ABOVE)	-
8	68066	COVER, FILTER DRAIN PAN (GA086JB & ABOVE)	1
8	32627	COVER, FILTER DRAIN PAN - MALAYSIA	1
8	69296	COVER, STORAGE - PFG-600	1
8	14414	KIT, COVER/DRAIN EXTENSION (KB021JJ TO BB016JA)	-
8	14414	KIT, COVER/DRAIN EXTENSION (KB030JJ TO BB055JA)	-
8	14415	KIT, COVER/DRAIN EXTENSION (BB017JA TO HB013JB)	-
8	14415	KIT, COVER/DRAIN EXTENSION (BB056JA TO HB016JB)	-
9	14461	KIT, BRUSH SET	1
10	12112	- BRUSH, STRAIGHT WHITE	1
11	12116	- BRUSH, FRYER - GONG - LONG HANDLE	1
12	12126	- BRUSH, BLACK L TIPPED	1
13	63102	SEALER BAR, WENDY'S	1
13	62116	SEALER BAR, GENERAL MARKET	1
14*	03387	DOLLY, FILTER PAN (KB020JJ & BELOW)	-
14*	03387	DOLLY, FILTER PAN (KB029JJ & BELOW)	-
14*	03352	DOLLY, FILTER PAN (KA020JJ & BELOW)	1
14*	03389	DOLLY, FILTER PAN (KB021JJ TO BB016JA)	-
14*	03390	DOLLY, FILTER PAN (KB030JJ TO BB055JA)	-
14*	03389	DOLLY, FILTER PAN (KA021JJ TO BA026JA)	1
14*	03391	DOLLY, FILTER PAN (BB017JA TO HB013JB)	-
14*	03392	DOLLY, FILTER PAN (BB056JA TO HB016JB)	-

Item No.	Part No.	Description	Qty.
14*	03391	DOLLY, FILTER PAN (BA027JA TO GA085JB)	1
14*	03343	DOLLY, FILTER PAN (HB014JB & ABOVE)	-
14*	03343	DOLLY, FILTER PAN (HB017JB & ABOVE)	-
14*	03352	DOLLY, FILTER PAN (GA086JB & ABOVE)	1
15*	14895	KIT, SPCL SHORT FLTR KFC/FALCON	1
16*	65208	NUT, FILTER - FEMALE (USE WITH #4 ABOVE)	1

Table 3-4 Filter Screen Kits

	65211	65447	17505	65208	63102
14671-GM	1	1	2	1	-
14672-WENDY'S	-	1	-	1	1

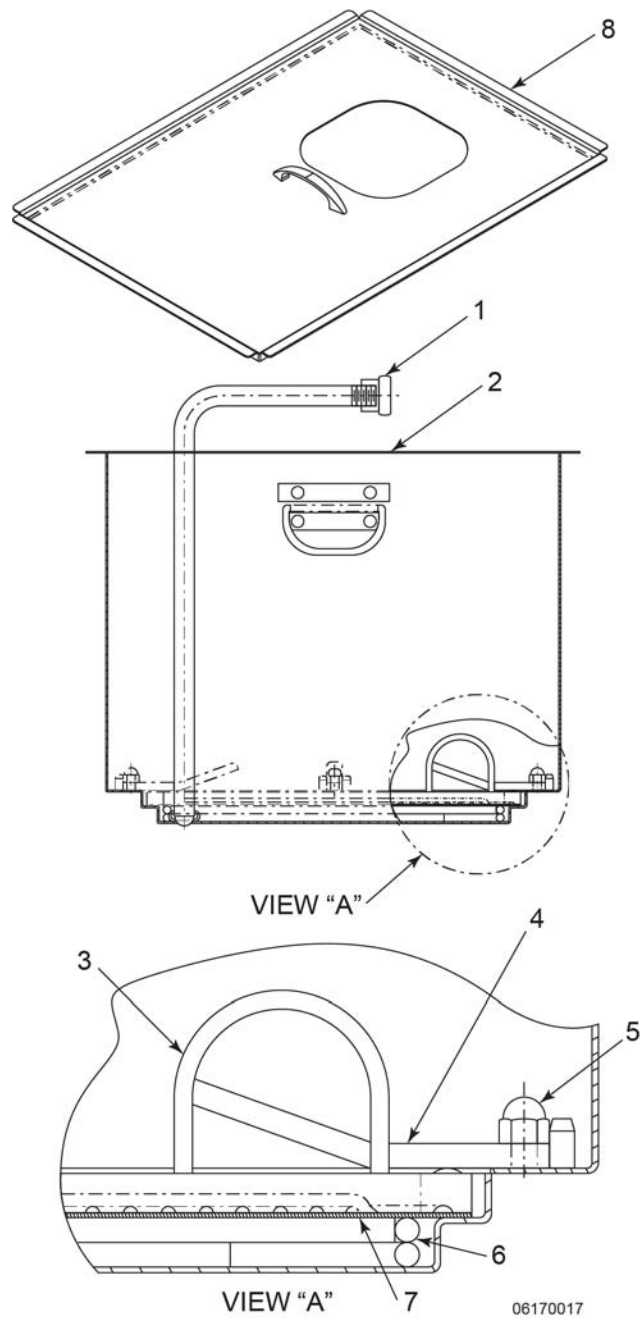


Figure 3-26 Supersorb Filter Assembly (Before 3-1-02)

Item No.	Part No.	Description	500	561
Recommended Parts * Not Shown				
1	17430 (USE 69289)	UNION, FEMALE FITTING	1	1
2	140028	ASSY., FILTER PAN (KB020JJ & BELOW)	1	-
2	140028	ASSY., FILTER PAN (KB029JJ & BELOW)	-	1
2	140034	ASSY., FILTER PAN (KA020JJ & BELOW)	-	-
2	24702	ASSY., FILTER PAN (HB014JB & ABOVE)	1	-
2	24702	ASSY., FILTER PAN (HB017JB & ABOVE)	-	1
2	17506	ASSY., FILTER PAN (GA086JB & ABOVE)	-	-
3	70561	SCREW, FILTER CLAMP RING W/ SCREW	1	1
4	36596	HANDLE, FILTER LOCK	4	4
5	NS03-023	NUT, 1/4-20 ACORN CAP	4	4
6	30944	SUPPORT, FILTER PAD	1	1
7	12186	FILTER PAD, CHARCOAL	1	1
8	54008	COVER, FILTER PAN ASSY. (KB020JJ & BELOW)	1	-
8	54008	COVER, FILTER PAN ASSY. (KB029JJ & BELOW)	-	1
8	54538	COVER, FILTER PAN ASSY. (KA020JJ & BELOW)	-	-
8	24627	COVER, FILTER PAN ASSY. (HB014JB & ABOVE)	1	-
8	24627	COVER, FILTER PAN ASSY. (HB017JB & ABOVE)	-	1
8	68066	COVER, FILTER PAN ASSY. (GA086JB & ABOVE)	-	-
9*	03388	DOLLY, FILTER PAN (4 & 6 HD) (KB020JJ & BELOW)	1	-
9*	03388	DOLLY, FILTER PAN (4 & 6 HD) (KB029JJ & BELOW)	-	1
9*	03388	DOLLY, FILTER PAN (4 & 6 HD) (KA020JJ & BELOW)	-	-
9*	03343	DOLLY, FILTER PAN (4 & 6 HD) (HB014JB & ABOVE)	1	-
9*	03343	DOLLY, FILTER PAN (4 & 6 HD) (HB017JB & ABOVE)	-	1

Item No.	Part No.	Description	500	561
9*	03352	DOLLY, FILTER PAN (4 & 6 HD) (GA086JB & ABOVE)	-	-
10*	19004	CASTERS	4	4
11*	140036	PAN, W/O CASTERS (KB030JJ TO BB055JA)	-	1
11*	140035	PAN, W/O CASTERS (KA021JJ TO BA026JA)	-	-
11*	140037	PAN, W/O CASTERS (BB017JA TO HB013JB)	1	-
11*	140038	PAN, W/O CASTERS (BB056JA TO HB016JB)	-	1
11*	140037	PAN, W/O CASTERS (BA027JA TO GA085JB)	-	-

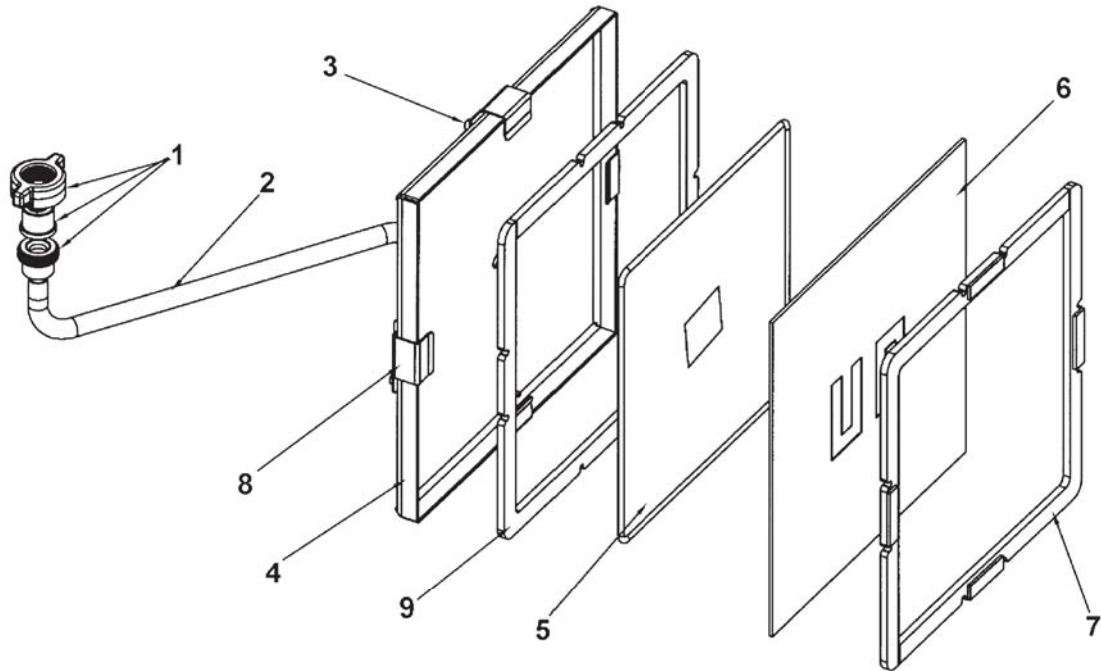
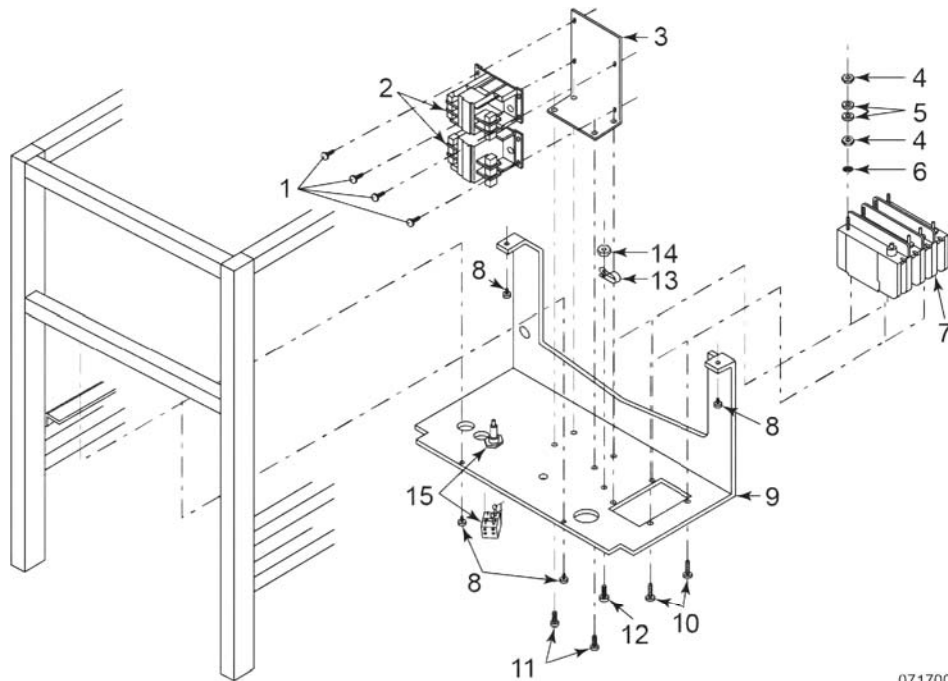


Figure 3-27 Supersorb Filter Assembly (3-1-02 & After)

Item No.	Part No.	Description	Qty.
Recommended Parts: A = Truck Stock; B = Dist. Stock * Not Shown			
1	69289	ASSY., FILTER UNION	1
2	24284	TUBE, D.U. TO FILTER - GAS	1
3	SC01-249	SCREW, 8-32 X 3/16 TH SHOULDER	4
4	67948	WELD ASSY., DRAIN FILTER	1
5	66202	WELD ASSY., FILTER SECTION	1
6	12186	FILTER PAD, CHARCOAL (CARTON OF 30)	1
7	70585	RING, FILTER CLAMP W/O SCREW	1
8	32851	CLIP, SHORT DRAIN FILTER (AN0507126 & ABOVE - 600)	4
8	67952	CLIP, SHORT DRAIN FILTER (AN0507126 & ABOVE - 600)	4

Item No.	Part No.	Description	Qty.
9	70721	RING, FILTER RETAINER WHOLE (AN0507126 & ABOVE - 600)	1
10*	14424	KIT, 600 SUPERSORB ASSY. (INCLUDES 1, 2B, 3-7, 8B, & 9)	1

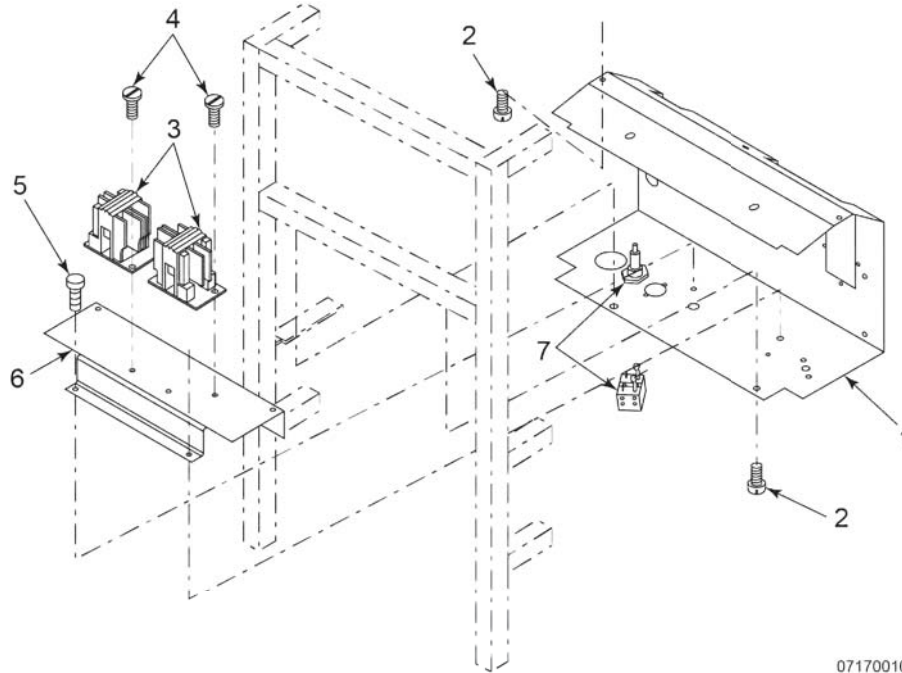


07170009

Figure 3-28 Contactor & Frame Assembly (Single Phase Electric Model)

Item No.	Part No.	Description	Qty.
Recommended Parts * Not Shown			
1	SC04-003	SCREW	4
2	19405	CONTACTOR	2
2	65074	CONTACTOR, 230 VOLT (CE)	2
3	18243	BRACKET, CONTACTOR	1
4	NS01-014	NUT, HEX	16
5	WA01-007	WASHER	16
6	LW02-005	LOCKWASHER	8
7	18242	BREAKER, CIRCUIT 50 AMP	1
8	SC03-005	SCREW	4
9	18244	SHROUD, SINGLE PHASE (KB0202JJ & BELOW)	1
9	63226	SHROUD, SINGLE PHASE (KB021JJ TO HB013JB)	1
9	27418	SHROUD, SINGLE PHASE (HB014JB & ABOVE)	1

Item No.	Part No.	Description	Qty.
10	SC01-072	SCREW	4
11	SC04-002	SCREW	4
12	SC01-010	SCREW	1
13	EF02-030	CAPILLARY CLAMP	1
14	NS02-005	NUT	1
15	EF02-125	BREAKER, PUSH-BUTTON RESET (10-23-06 & AFTER)	2
15	18364	ASSY., FUSE HOLDER - 15 AMP (BEFORE 10-23-06)	2
15	EF02-007	- FUSE, 15 AMP	2
15	EF02-006	- HOLDER, FUSE	2
16*	14033	KIT, 3 PHASE TO 1 PHASE CONVERSION (KB020JJ & BELOW)	1
16*	14677	KIT, 3 PHASE TO 1 PHASE CONVERSION (KB021JJ TO HB013JB)	1
16*	14882	KIT, 3 PHASE TO 1 PHASE CONVERSION (HB014JB TO AA0611084)	1
16*	14678	KIT, 3 PHASE TO 1 PHASE CONVERSION (AA0611085 & ABOVE)	1



07170010

Figure 3-29 Contactor & Frame Assembly (Three Phase Electric Model)

Item No.	Part No.	Description	Qty.
Recommended Parts * Not Shown			
1	18514	SHROUD, THREE PHASE (KB020JJ & BELOW)	1
1	59233	SHROUD, THREE PHASE (KB021JJ TO HB013JB)	1
1	65863	SHROUD, THREE PHASE (HB014JB & ABOVE) (CE)	1
1	65269	SHROUD, THREE PHASE (AA0605139 & ABOVE)	1
2	SC03-005	SCREW, SHROUD	4
3	19405	CONTACTOR, 208-240 VOLT	2
3	65074	CONTACTOR, 230 VOLT (CE)	2
4	SC04-002	SCREW, CONTACTOR	4
5	SC01-052	SCREW, 1/4-20 X 3/8 HEX HD C	2
6	58850	BRACKET, DOUBLE CONTACTOR (KB021JJ & ABOVE)	1
7	EF02-125	BREAKER, PUSH-BUTTON RESET (10-23-06 & AFTER - DOMESTIC) (AA0809149 & AFTER - CE)	2

Item No.	Part No.	Description	Qty.
7	18364	ASSY., FUSE HOLDER - 15 AMP (BEFORE 10-23-06)	2
7	EF02-007	- FUSE, 15 AMP	2
7	EF02-006	- HOLDER, FUSE	2
7	EF02-105	FUSE, 15 AMP (AA0605139 TO AA0809148) (CE)	2
7	EF02-104	HOLDER, FUSE (AA0605139 TO AA0809148) (CE)	2
8*	14034	KIT, 1 PHASE TO 3 PHASE CONVERSION (KB020JJ & BELOW)	1
8*	14679	KIT, 1 PHASE TO 3 PHASE CONVERSION (KB021JJ TO HB013JB)	1
8*	14883	KIT, 1 PHASE TO 3 PHASE W/ FUSES (HB014JB TO AA0611084)	1
8*	14680	KIT, 1 PHASE TO 3 PHASE CONVERSION (AA0611085 & ABOVE)	1

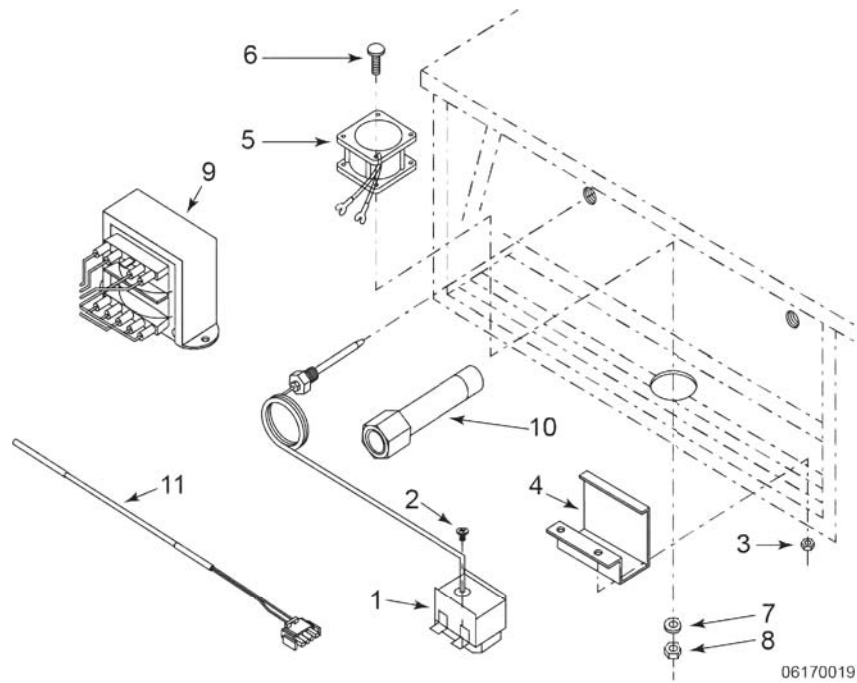


Figure 3-30 Fan & High Temperature Limit Control

Item No.	Part No.	Description	Qty.
Recommended Parts * Not Shown			
1	16738	CONTROL, HIGH TEMPERATURE LIMIT	1
1	60241	CONTROL, HIGH TEMP. LIMIT - E.G.O. (CA012JJ & ABOVE) (CE & AUSTRALIA)	1
1	14267	KIT, HIGH LIMIT (CA011JJ & BELOW) (CE)	1
2	SC02-018	SCREW, THREAD FORMING #8	2
3	NS02-001	NUT, #10-32 HEX KEPS	2
4	17216	BRACKET ASSY., HIGH LIMIT THERMOSTAT	1
5	81208	FAN, 120 VOLT	1
5	16688	FAN, 240 VOLT (AN0810093 & BELOW)	1
5	81117	FAN, 240 VOLT (AN0810094 & ABOVE)	1
6	SC01-266	SCREW, FAN - 6-23 X 1-3/4"	4
7	WA01-006	WASHER, FAN	4

Item No.	Part No.	Description	Qty.
8	NS02-005	NUT, FAN	4
9	35916	TRANSFORMER, 120V - PRI./24V - SEC	1
9	30614	TRANSFORMER, 208/240V - PRI./24V - SEC	1
10	51071	FITTING, THERMOSTAT (KA020JJ & BELOW)	2
11	68078	ASSY., FPS TEMPERATURE PROBE (WHEN APPLICABLE)	1
12*	36097	GUARD, PROBE	1

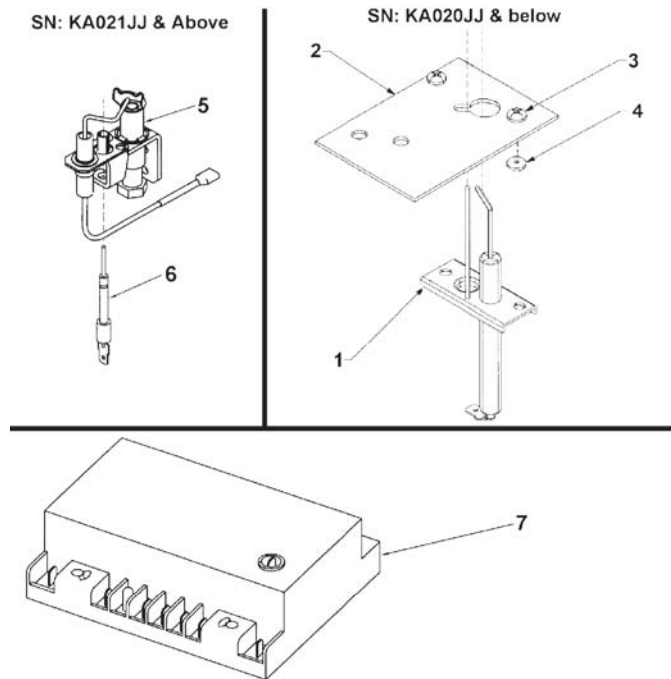
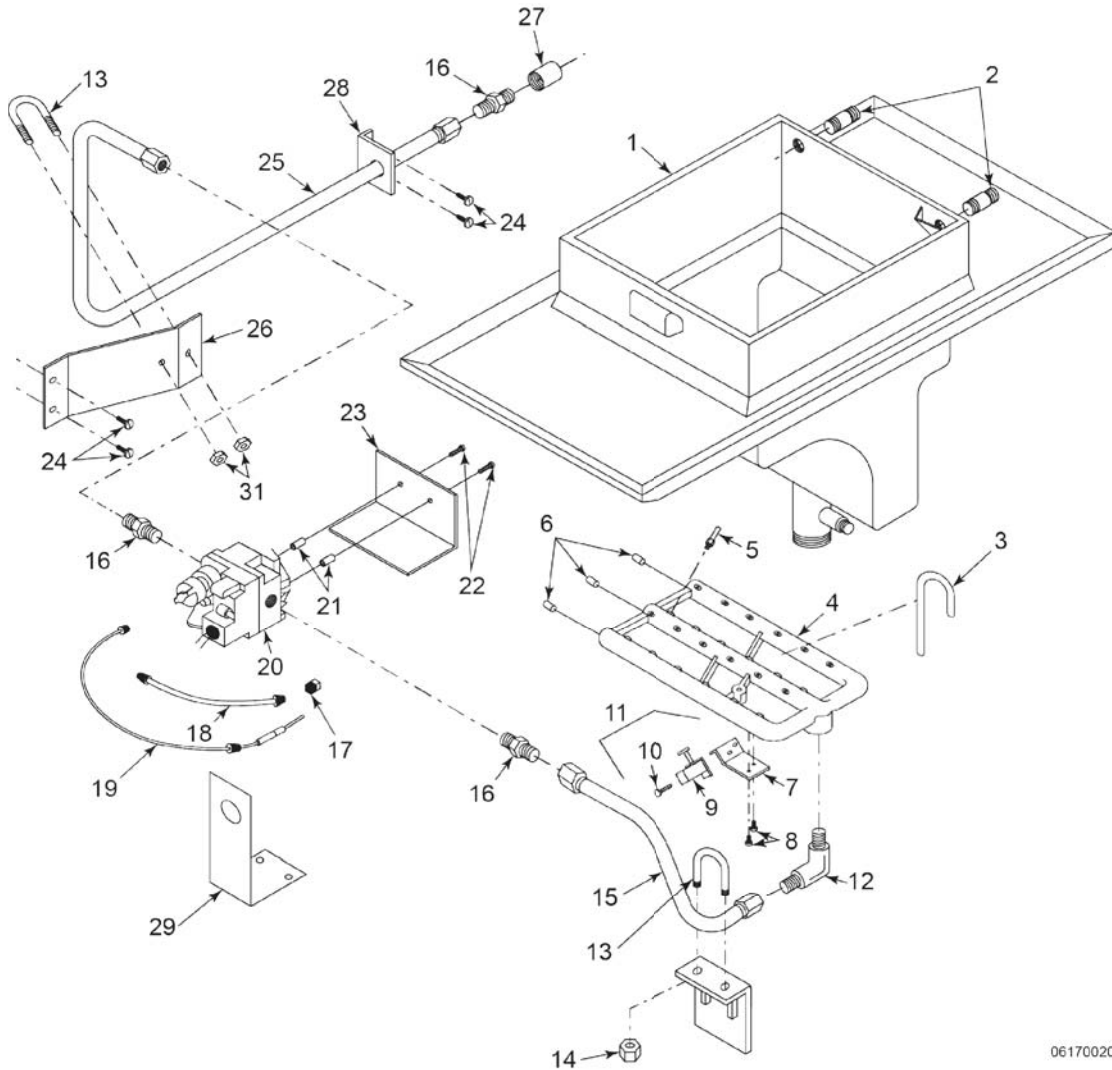


Figure 3-31 Electronic Ignition Assembly

Item No.	Part No.	Description	Qty.
Recommended Parts * Not Shown			
1	34380	ELECTRODE, SPARK/SENSE (KA020JJ & BELOW)	1
2	34376	BRACKET, IGNITOR (KA020JJ & BELOW)	1
2	21522	BRACKET, IGNITOR (KA021JJ & ABOVE)	1
2	21325	BRACKET, IGNITOR (INT'L) (KA020JJ & BELOW)	1
3	SC01-021	SCREW	2
3	SC01-076	SCREW (INT'L) (KA020JJ & BELOW)	2
4	NS02-007	NUT, KEPS	2
5	79132-1	PILOT, PFG - 600 NATURAL (AN1208071 & ABOVE)	1
5	140227	KIT, 600 NAT SSI PILOT ASSY. (KA021JJ TO AN1208070)	1
5	79132-2	PILOT, PFG - 600 LP (AN1208071 & ABOVE)	1

Item No.	Part No.	Description	Qty.
5	14931	KIT, 600 SSI PILOT ASSY. - LP (KA021JJ TO AN1208070)	1
6	14899	KIT, 600 SENSOR FLM HARN FLM	1
6	60292	SENSOR, FLAME - PILOT (KA021JJ & ABOVE)	1
7	140133	KIT, IGNITION MODULE (KA020JJ & BELOW)	1
7	21318	MODULE, IGNITION (INT'L) (KA020JJ & BELOW)	1
7	14919	KIT, IGNITION MODULE (KA021JJ TO AN0711029) (NON-CE)	1
7	77839	- MODULE, IGNITION (AN0711030 & ABOVE) (NON-CE)	1
7	14937	KIT, IGNITION MODULE (KA021JJ TO AN0711029) (CE)	1
7	77602	- MODULE, IGNITION (KA020JJ & BELOW) (CE)	1
8*	21317	SWITCH, MOMENTARY RESET (KA020JJ & BELOW)	1
9*	54472	RELAY, POWER - 15A 120V	1
9*	56394	RELAY, POWER - 10A 240V (CE)	1
10*	80854	BRACKET, IGNITION MODULE	1



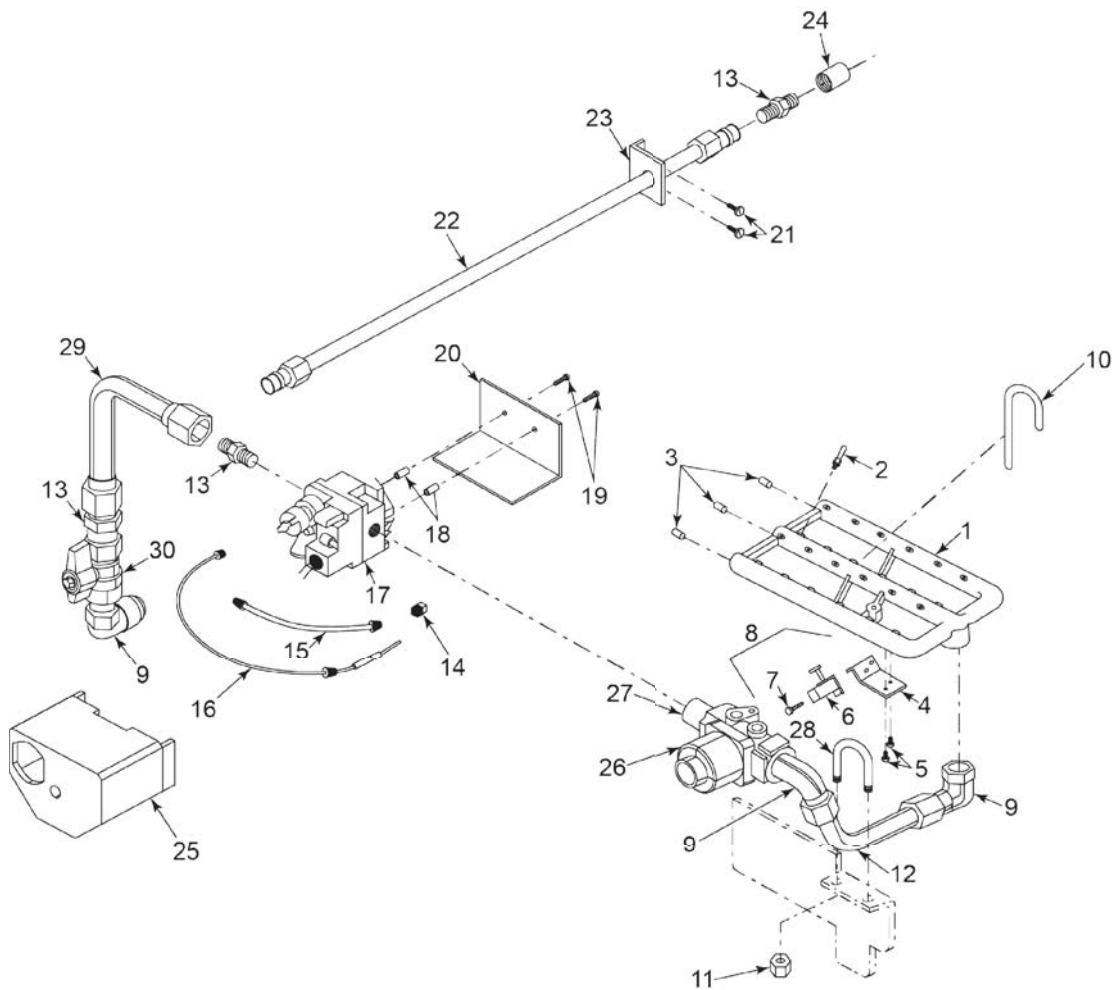
06170020

Figure 3-32 Vat (frypot) & Gas Burner Assy - Non-CE, Domestic, & Electric Ignition

Item No.	Part No.	Description	Qty.
Recommended Parts * Not Shown			
1	16889	TOP ASSY., POT & COUNTER (KA020JJ & BELOW)	1
1	65007	TOP ASSY., POT & COUNTER (KA021JJ & ABOVE)	1
1	68568	TOP ASSY., POT & COUNTER - FPS	1
1	69722	TOP ASSY., POT & COUNTER - FPS	1

Item No.	Part No.	Description	Qty.
1	65010	TOP ASSY., POT & COUNTER - POLLO CAMPERO (KA021JJ & ABOVE)	1
1	65011	TOP ASSY., POT & COUNTER - CE (KA021JJ & ABOVE; USE 16889 PRIOR)	1
2	18816	NIPPLE, PIPE SS	2
3	53834	J-BOLT, BURNER HOLD DOWN	1
4	16205	CASTING BURNER	1
5	17013-1	SET, ORIFICE - NATURAL GAS	1
5	16561-1	- ORIFICE, NATURAL GAS - SS	1
5	16562-1	- ORIFICE, NATURAL GAS - BRASS	23
5	17013-3	SET, ORIFICE - PROPANE GAS	1
5	16561-3	- ORIFICE, PROPANE GAS - SS	1
5	16562-3	- ORIFICE, PROPANE GAS - BRASS	23
6	FP01-020	PLUG, BURNER CASTING	3
7	29969	BRACKET, PILOT HOLDER	1
8	SC01-184	SCREW, PILOT HOLDER BRACKET	2
9	USE #11	ASSY., PILOT & ORIFICE	1
10	SC01-047	SCREW, PILOT HOLDER	1
11	30904	ASSY., PILOT & BRACKET - LP (AN0703021 & BELOW)	1
11	30913	ASSY., PILOT & BRACKET - NAT (AN0703021 & BELOW)	1
12	16336	ELBOW, MALE	1
12	FP01-014	ELBOW, 1/8" (AN0901029 & ABOVE)	1
13	SC06-013	BOLT, U - GAS LINE	2
14	NS02-002	NUT, GAS SUPPLY LINE BOLT	4
15	16333	LINE, GAS BURNER TO CONTROL	1
15	67202	ASSY., BURNER TO VALVE TUBE - SOLID STATE IGN.	1
15	79239	ASSY., BURNER TO VALVE TUBE (AN0901029 & ABOVE)	1
16	16335	NIPPLE, CLOSE	3

Item No.	Part No.	Description	Qty.
17	29820	ORIFICE, PILOT - NATURAL GAS	1
17	32407	ORIFICE, PILOT - PROPANE GAS	1
18	69450	PILOT ASSEMBLY, GAS TUBE	1
19	16219	THERMOCOUPLE	1
20	-----	VALVE, GAS CONTROL - SEE Figure 2-11 Gas Control Valve, page 33	1
21	16221	SPACER, HEAT SHIELD	2
21	ME50-066	SPACER, HEAT SHIELD (AN0901029 & ABOVE)	2
22	SC01-054	SCREW, HEAT SHIELD	2
22	SC02-045	SCREW, HEAT SHIELD (AN0901029 & ABOVE)	2
23	58866	SHIELD, HEAT - ALUMINUM (KA021JJ & BELOW)	1
23	67111	SHIELD, VALVE HEAT - SSI (KA021JJ TO AN0901028)	1
23	79197	SHIELD, VALVE HEAT (AN0901029 & ABOVE)	1
24	SC02-006	SCREW, BRACKET	4
25	40304	LINE, GAS SUPPLY (KA020JJ & BELOW)	1
25	16326	LINE, GAS SUPPLY	1
26	16331	BRACKET, GAS LINE	1
27	FP01-007	COUPLING, PIPE	1
28*	16328	BRACKET, GAS LINE	1
29	24687	GUARD, GAS VALVE ADJUSTMENT SCREW	1
30*	14484	KIT, 3/4 IN. X 5 FT. GAS LINE W/ QUICK-DISCONNECT	1
31	NS02-002	NUT, GAS SUPPLY LINE BOLT	2
32*	16329	NUT, 37 FLARE FOR 5/8 OD	2
33*	16330	SLEEVE, 37 FLARE FOR 5/8	2
34*	140645	KIT, VAT (FRYPOT) INSULATION	1



06170039

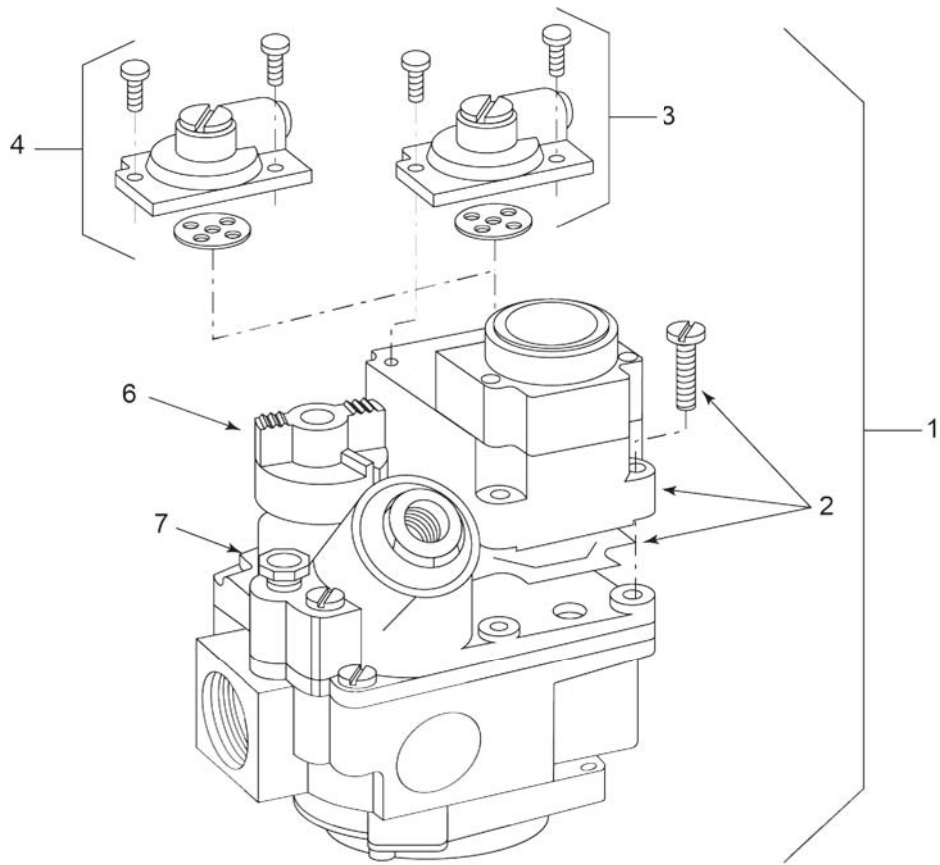
Figure 3-33 Gas Line & Burner Assembly - CE, International, & Electronic Ignition

Item No.	Part No.	Description	Qty.
Recommended Parts * Not Shown			
1	16205	CASTING, BURNER	1
2	17013-1	SET, ORIFICE - NATURAL GAS	1
2	16561-1	- ORIFICE, NATURAL GAS - SS	1
2	16562-1	- ORIFICE, NATURAL GAS - BRASS	23
2	17013-3	SET, ORIFICE - PROPANE GAS	1

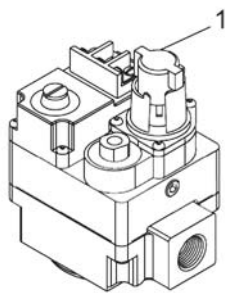
Item No.	Part No.	Description	Qty.
2	16561-3	- ORIFICE, PROPANE GAS - SS	1
2	16562-3	- ORIFICE, PROPANE GAS - BRASS	23
3	FP01-020	PLUG, BURNER CASTING	3
4	29969	BRACKET, PILOT HOLDER	1
5	SC01-184	SCREW, PILOT HOLDER BRACKET	2
6	USE #8	ASSY., PILOT & ORIFICE	1
7	SC01-047	SCREW, PILOT HOLDER	1
8	30904	PILOT & BRACKET ASSY., LP (AN0703021 & BELOW)	1
8	30913	PILOT & BRACKET ASSY., NAT (AN0703021 & BELOW)	1
9	16336	ELBOW, MALE	1
10	53834	J-BOLT, BURNER HOLD DOWN	1
11	NS02-002	NUT, GAS SUPPLY LINE BOLT	4
12	38464	LINE, GAS BURNER TO CONTROL	1
13	16335	NIPPLE, CLOSE	2
14	29820	ORIFICE, PILOT - NATURAL GAS	1
14	32407	ORIFICE, PILOT - PROPANE GAS	1
15	69450	PILOT ASSEMBLY, GAS TUBE	1
16	16219	THERMOCOUPLE	1
16	34820	THERMOCOUPLE (CE)	1
17	-----	VALVE, GAS CONTROL - SEE Figure 2-11 Gas Control Valve, page 33	1
18	16221	SPACER, HEAT SHIELD	2
19	SC01-054	SCREW, HEAT SHIELD	2
20	16222	SHIELD, HEAT - ALUMINUM	1
21	SC02-006	SCREW, BRACKET	4
22	51429	LINE, GAS SUPPLY (CE & AUSTRALIA)	1
22	-----	LINE, GAS FLEX W/ CONNECTOR - SEE	1
23	16328	BRACKET, GAS LINE	1
24	FP01-007	COUPLING, PIPE	1

Item No.	Part No.	Description	Qty.
25	56229	WIRE COVER, GAS CONTROL VALVE (CE)	1
26	38446	VALVE, GAS SOLENOID - 120V	1
26	38467	VALVE, GAS SOLENOID - 240V	1
26	38468	VALVE, GAS SOLENOID - 24V	1
26	169843	VALVE, GAS SOLENOID - 240V (CE & AUSTRALIA)	1
26	34802	VALVE, GAS SOLENOID - 24V (CE & AUSTRALIA) (BEFORE SERIAL NUMBER AN1901007)	1
26	91469	- ASSY, SAFETY VALVE CONNECTOR W/ WIRING (CE & AUSTRALIA) (BEFORE SERIAL NUMBER AN1901007)	1
26	170588	VALVE, GAS SOLENOID - 24V (CE & AUSTRALIA) (AFTER SERIAL NUMBER AN1901007)	1
26	170708	- ASSY, SAFETY VALVE CONNECTOR W/ WIRING (CE & AUSTRALIA) (AFTER SERIAL NUMBER AN1901007)	1
27	FP02-062	NIPPLE, 1/2 NPT X 1.75L BI	1
28	SC06-013	BOLT U, GAS LINE	1
29	51428	TUBE, GAS VALVE SUPPLY	1
30	45401	VALVE, 1/2 GAS BALL	1
31*	FP01-014	ELBOW, 1/8 INCH - Z	1
32*	FP01-200	FITTING, GAS INLET BSPT	1
33*	16355	NIPPLE, PRESSURE TEST	1

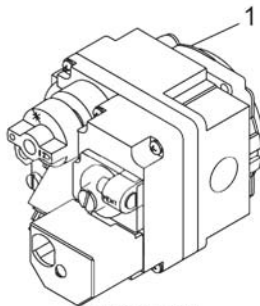
Length	Dia.	Part No.	Description	Qty.
36"	1/2"	03749	KIT, LINE GAS FLEX W/ INSTALLATION (w/ QD)	A/R
48"	1/2"	03750	KIT, LINE GAS FLEX W/ INSTALLATION KIT (1 QD)	A/R
48"	1/2"	03751	KIT, LINE GAS FLEX W/ INSTALLATION KIT (2 Swivel)	A/R
36"	3/4'	03752	KIT, LINE GAS FLEX W/ INSTALLATION KIT (w/ QD)	A/R
38"	3/4'	03753	KIT, LINE GAS FLEX W/ INSTALLATION KIT (Valve)	A/R
60"	3/4'	03754	KIT, LINE GAS FLEX W/ INSTALLATION KIT (1 QD)	A/R
48"	3/4'	03747	KIT, LINE GAS FLEX W/ INSTALLATION KIT (2 Swivel)	A/R
72"	1"	03755	KIT, LINE GAS FLEX W/ INSTALLATION KIT (2 Threaded Connectors)	A/R
33"	1"	03756	KIT, LINE GAS FLEX W/ INSTALLATION KIT (1" QD Adapter, Valve, Elbow)	A/R
48"	1"	03757	KIT, LINE GAS FLEX W/ INSTALLATION KIT (2 Swivel)	A/R
72"	1"	03758	KIT, LINE GAS FLEX W/ INSTALLATION KIT (1" QD Adapter, Valve, Elbow)	A/R
60"	1"	03759	KIT, LINE GAS FLEX W/ INSTALLATION KIT (2 Swivel + 1 QD)	A/R
Recommended Parts * Not Shown				



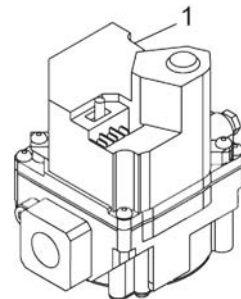
STYLE 1



STYLE 2



STYLE 3



STYLE 4

06170021

Figure 3-34 Gas Control Valve

Item No.	Part No.	Description	Qty.
√ Recommended Parts * Not Shown			
1	-----	VALVE, GAS CONTROL - SEE Table 3-5 Table 1, page 167	1
2	16254	ACTUATOR, GAS CONTROL VALVE - 120 VOLT - NATURAL	1
2	16710	ACTUATOR, GAS CONTROL VALVE - 208-240 VOLT - NATURAL	1
2	16386	ACTUATOR, GAS CONTROL VALVE - 120 VOLT - PROPANE	1
2	16384	ACTUATOR, GAS CONTROL VALVE - 208-240 VOLT - PROPANE	1
3	16253	REGULATOR, GAS CONTROL VALVE - NATURAL GAS	1
4	16352	REGULATOR, GAS CONTROL VALVE - PROPANE GAS	1
6	16267	KNOB, GAS CONTROL VALVE	1
7	16373	FITTING, COMPRESSION - PILOT TUBE	2
8*	16247	KIT, NAT. TO LP CONVERSION - SEE Table 3-6 Table 2, page 167	1
8*	16248	KIT, LP TO NAT. CONVERSION - SEE Table 3-6 Table 2, page 167	1
8*	14324	KIT, NAT. TO LP CONVERSION - SEE Table 3-6 Table 2, page 167	1
8*	14325	KIT, LP TO NAT. CONVERSION - SEE Table 3-6 Table 2, page 167	1
8*	14723	KIT, 600SSI - NAT. TO LP CONVERSION (KA021JJ & ABOVE)	1
8*	14724	KIT, 600SSI - LP TO NAT. CONVERSION (KA021JJ & ABOVE)	1

Table 3-5 Table 1

Voltage	Nat. Elec- tronic Ign.	LP Elec- tronic Ign.	Nat. STD Ign.	LP STD Ign.	Town Gas
120V	†34439 (KA020JJ & Below)	-	†16216	†16217	Use 16262 and 16254
240V	-	†21316	†16380	†16381	†16262
24V	◇140043 (KA021JJ to AN0901028)	◇140043 (KA021JJ to AN0901028)	#29614 (KA020JJ & Below)	#29728 (KA020JJ & Below)	-
24V	◇80761 (AN0901029 & Above)	◇80858 (AN0901029 & Above)	‡58863 (KA021JJ & Above)	‡64036 (KA021JJ & Above)	-
24V/50Hz	-	-	#34806	#34805	-
240V/50Hz	-	-	#34804	#34803	-
† - Style 1, Integral lead wires			‡ - Style 2, 3 screw terminals		
# - Style 3, 2 screw terminals and/or cover			◇ - Style 4, 3 spade terminals and ON/OFF switch		

NOTICE

Part # 16216 and 16380 consist of items 2 and 3; part # 16217 and 16381 consist of items 2 and 4.

Table 3-6 Table 2

Serial No.	STD USA 120V/60 Hz Power	STD European & Non-STD Power
KA020JJ & BELOW	16247 & 16248	16247 & 16248
KA021JJ & ABOVE	14324 & 14325	16247 & 16248

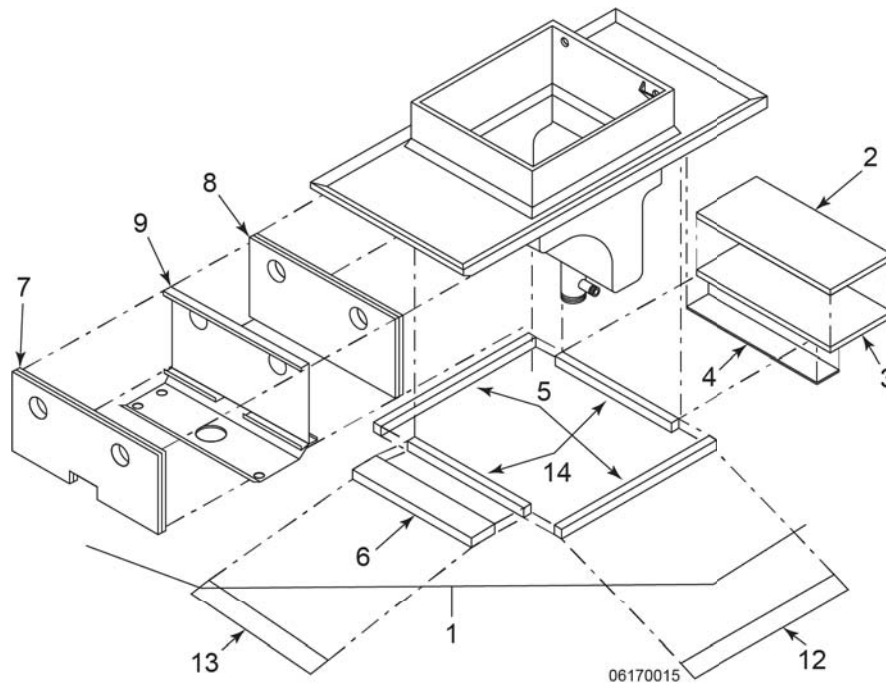
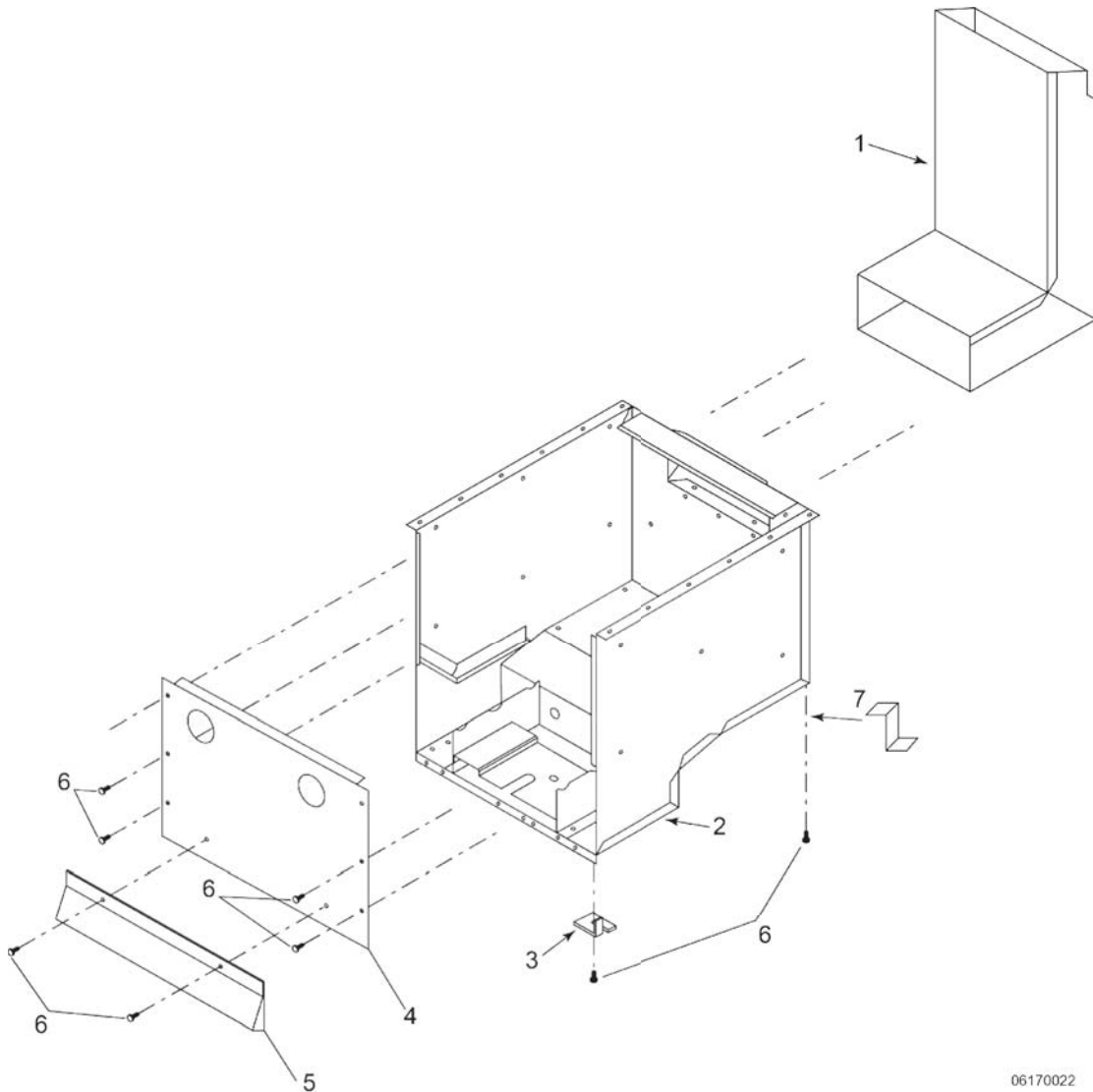


Figure 3-35 Countertop Insulation Assembly (Gas Model)

Item No.	Part No.	Description	Qty.
* Not Shown			
1	14698	KIT, COMPLETE SET (KA021JJ & ABOVE)	1
1	16518	INSULATION, COMPLETE SET (35886 TO KA020JJ)	1
1	16310	INSULATION, COMPLETE SET (35886 & BELOW) (INCLUDES PART NO. 16505, 17605, 16872, MS01-180, BULK CEREFELT INSULATION FOR AROUND THERMOCOUPLE, POT FITTINGS, & GLUE)	1
1	14211	INSULATION, COMPLETE SET (CE & AUSTRALIA)	1
2	63301	INSULATION, FIBERGLASS	1
2	63326	INSULATION (CE & AUSTRALIA)	2
3	63302	INSULATION, CEREFELT - FLUE TOP	1
3	63326	INSULATION, CEREFELT - FLUE TOP (CE)	1
4	16308	BOARD, AIRCELL	1
4	54862	BOARD, AIRCELL (CE & AUSTRALIA)	1

Item No.	Part No.	Description	Qty.
5	53807	INSULATION, COUNTERTOP - SIDES	2
6	16303	INSULATION, FIBERGLASS	1
7	63699	INSULATION, FIBERGLASS NOTCHED	2
7	68070	ASSY., FRONT PANEL INSULATION - SSI/FPS	1
8	63623	INSULATION, HEAT SHIELD - INNER	1
9	59232	SHIELD, HEAT	1
10*	53802	SHIELD, HEAT - MIDDLE - (AN0810093 & BELOW) (CE & AUSTRALIA)	1
11*	80861	SHIELD, HEAT - (AN0810094 & ABOVE) (CE & AUSTRALIA)	1
11*	85512	SHIELD, HEAT - 240V SSI/FPS (AN0810093 & BELOW)	1
11*	85518	SHIELD, HEAT - 240V SSI/FPS (AN0810094 & ABOVE)	1
12	59965	INSULATION, COUNTERTOP SIDE	2
13	59966	INSULATION, COUNTERTOP FRONT	1
14	53808	INSULATION, COUNTERTOP - FRONT/REAR	2



06170022

Figure 3-36 Firebox & Flue Assembly (Gas Model)

Item No.	Part No.	Description	Qty.
* Not Shown			
1	59728	STACK, FLUE EXHAUST (KA021JJ & ABOVE)	1
1	54865	STACK, FLUE EXHAUST (KA020JJ & BELOW)	1
2	59223	ASSY., CABINET - FIREBOX (KA021JJ & ABOVE)	1
2	29679	ASSY., CABINET - FIREBOX (KA020JJ & BELOW)	1

Item No.	Part No.	Description	Qty.
3	18625	BRACKET, SIDE PANEL INSULATION	2
4	87448	PANEL, FIREBOX FRONT	1
5	16406	DEFLECTOR, HEAT SHIELD	1
6	SC03-005	SCREW, SHEET METAL	20
7	18626	BRACKET, SIDE PANEL INSULATION - REAR	2
8*	63330	ASSY., FIREBOX - W/ INSULATION - JAPAN (AN0902073 & BELOW)	1
8*	63311	ASSY., FIREBOX - W/ INSULATION - JAPAN (AN0902074 & ABOVE)	1
8*	63331	ASSY., FIREBOX - W/ INSULATION (CE & AUSTRALIA)	1
9*	30857	ASSY., FRONT PANEL INSULATION (EXPORT ONLY)	1
10*	53812	INSULATION, FRONT BRACKET - FIREBOX (CE & AUSTRALIA)	2
11*	53814	INSULATION, LEG (CE & AUSTRALIA)	1
12*	53816	INSULATION, OUTER REAR FIREBOX (CE & AUSTRALIA)	1
13*	24239	INSULATION, OUTER FIREBOX - SIDE (CE & AUSTRALIA)	1

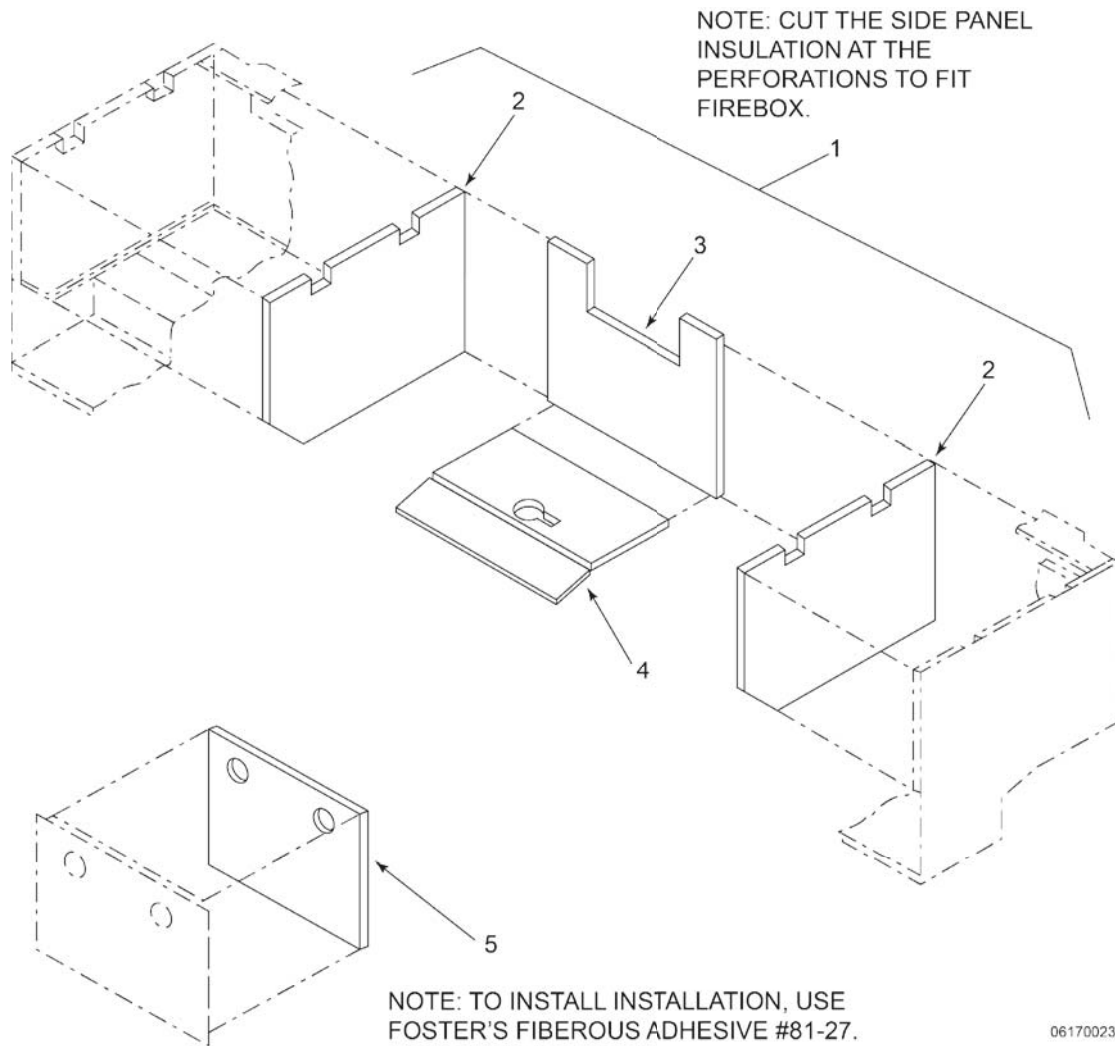


Figure 3-37 Firebox Insulation Assembly (Gas Model)

Item No.	Part No.	Description	Qty.
* Not Shown			
1	16505	INSULATION, FIREBOX - COMPLETE SET - CEREFELT - INSIDE FIREBOX	1
2	63111	- INSULATION, SIDE PANEL - CEREFELT	2
3	16502	- INSULATION, BACK PANEL - CEREFELT	1
4	16503	- INSULATION, BOTTOM PANEL - CEREFELT	1

Item No.	Part No.	Description	Qty.
5	29690	- INSULATION, FRONT PANEL - CEREFELT	1
6*	24238	- INSULATION, COUNTERTOP - SIDE - JAPAN (AN0902074 & ABOVE)	2

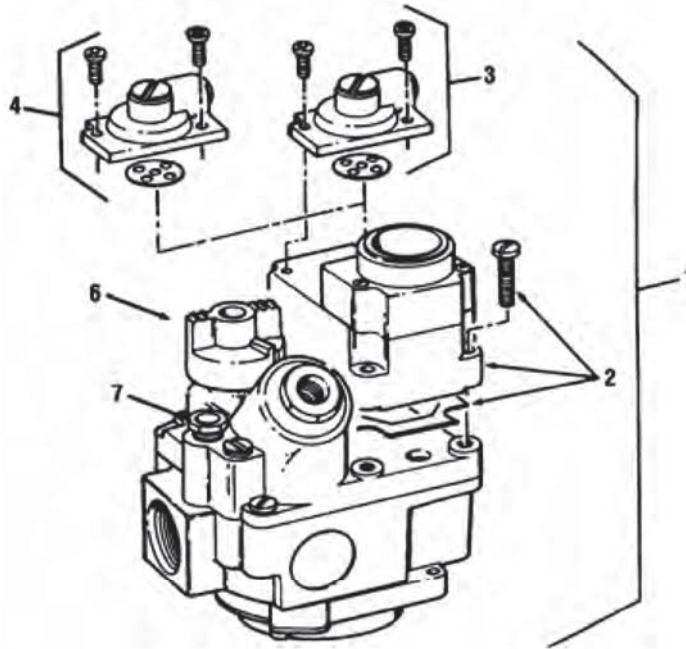
Chapter 4 C8000 Replacement Parts

4.1 Controls and Decals

Part Number	Description	Quantity
164944	Flat panel assembly: SN: KA021JJ to GA085JB - Gas	1
164946	Flat panel assembly: SN: GA086JB and above - Gas	1
164945	Bent panel assembly: SN: KA020JJ and below - Gas	1
68798	Bent panel assembly - Campero: SN: KA020JJ and below - Gas	1
68799	Flat panel assembly - Campero: SN: KA021JJ to GA085JB - Gas	1
164960	Flat panel assembly - Campero: SN: GA086JB and above - Gas	1
65462	Bent panel assembly - Jollibee's: SN: KA020JJ and below - Gas	1
65463	Flat panel assembly - Jollibee's: SN: KA021JJ to GA085JB - Gas	1
164954	Flat panel assembly - Jollibee's: SN: GA086JB and above - Gas	1
65171	Control assembly - Express Foods:	1
65193	Control assembly - Servequip:	1
164967	Control assembly - 600 Wendy's w/SSI/FPS: SN: GA086JB and above - Gas	1
68683	Control assembly - Wendy's w/SSI/FPS: SN: GA085JB and below - Gas	1
164970	Control assembly - '02 GM w/FPS:	1
69307	Control assembly - '02 Giant Eagle:	1
- 64120	AMP sensor PCB	1
65893	Dual gas module I/O W/PS assembly	1

Part Number	Description	Quantity
32633	Std. product menu card	1
32634	Blank menu card	1
69228	Campero menu card	1
39089	Jollibee menu card	1
39156	Wendy's/Davco menu card	1
68731	Giant Eagle menu card	1
70846	McDonalds menu card	1
27308	Bent control decal	1
24849	Flat control decal	1
32658	C8000-02 decal	1
39269	C8000-02 Wendy's decal	1
72170	C8000-02 Wendy's English / French decal	1
29898	Power switch	1

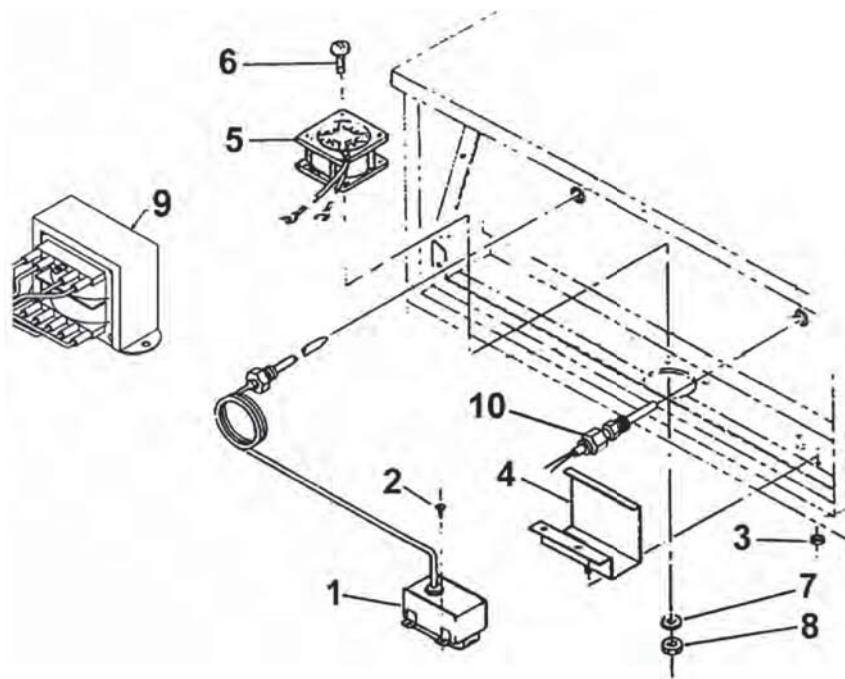
4.2 600 Series Gas Control Valve



Item	Part Number	Description	Quantity
1a	58863	Natural Gas Valve 24v SN: (KA021JJ Above)	1
1a	16216	Natural Gas Valve 120v	1
1b	64036	Propane Gas Valve 24v SN: (KA021JJ Above)	1
1b	16217	Propane Gas Valve 120v	1
1a	16380	Natural Gas Valve 208-240v	1
1b	16381	Propane Gas Valve 208-240v	1
1a	29614	Natural Gas Valve 24v SN: (Below KA020JJ)	1
1b	29728	Propane Gas Valve 24v SN: (Below KA020JJ)	1
2	16254	Gas Control Valve Solenoid 120v NG	1
2	16710	Gas Control Valve Solenoid 208- 240v NG	1
2	16386	Gas Control Valve Solenoid 120 LP	1

Item	Part Number	Description	Quantity
2	16384	Gas Control Valve Solenoid 208- 240v LP	1
3	16253	Gas Control Valve Regulator 3.5 in.	1
4	16352	Gas Control Valve Regulator 10 in.	1
6	16267	Gas Control Valve Knob	1
7	16373	Pilot Tube End Compression Fitting	2

4.3 600 Series Gas Components



Item	Part Number	Description	Quantity
1	16738	High Temperature Limit Control	1
2	SC02-018	#8 Thread Forming Screw	2
3	NS02-001	#10-32 Hex Keps Nut	2
4	17216	High Limit Thermostat Bracket Assembly	1
5	16684	120 Volt Fan	1
6	SC01-010	- Fan Screw	4
7	WA01-006	- Fan Washer	4

Item	Part Number	Description	Quantity
8	NS02-005	- Fan Nut	4
9	72854	10/24v AC Transformer Assembly	1
10	14331	Temperature Probe Kit	1
10	14877	600 FPS Temperature Probe Kit	1
11*	36097	Probe Guard	1